

Panel Mount Signaling Alarms

- Bulletin 855P Sounders **Page 11-3**
- Bulletin 855PC Sounders with LED **Page 11-4**
- Bulletin 855PS Strobes **Page 11-5**
- Bulletin 855PB Selectable Steady or Flashing LED **Page 11-6**
- Bulletin 855PD Dual Circuit Alarms **Page 11-7**
- Bulletin 855L Panel Light Bars..... **Page 11-11**

Industrial Horns and Beacons

- Bulletin 855H General Purpose Electronic Horns..... **Page 11-14**
- Bulletin 855H High-Performance Electronic Horns **Page 11-16**
- Bulletin 855H High-Performance Electronic Horns with Attached Strobe Beacons **Page 11-17**
- Bulletin 855B Mini-Square Beacons **Page 11-21**
- Bulletin 855BS 90 mm Round Beacons **Page 11-23**
- Bulletin 855BM 120 mm Round Beacons **Page 11-23**
- Bulletin 855BL 160 mm Round Beacons **Page 11-23**

Signal and Control Tower™ Lights

- Bulletin 855D 30 mm Compact Control Tower™ Stack Lights **Page 11-35**
- Bulletin 855F 70 mm Compact Control Tower™ Stack Lights..... **Web‡**
- Bulletin 855E 50 mm Control Tower™ Stack Lights..... **Page 11-39**
- Bulletin 855T 70 mm Control Tower™ Stack Lights..... **Page 11-45**
- Bulletin 855W Wall Mount Signal Lights **Page 11-61**

Hazardous Location Devices

- Bulletin 855X Horns, Beacons, and Loudspeakers **Page 11-65**

‡ Information for this product line is available on the Industrial Controls Catalog website: www.ab.com/catalogs.

Panel Mount Signaling Alarms and Light Bars

Product Overview

Bulletin	855P	855PC	855PS	855PB	855PD
Type	Panel Mount Sounder	Panel Mount Sounder with LED	Panel Mount Strobe	Panel Mount LED Beacon	Panel Mount Dual Circuit Alarms
Mounting Hole Size	22.5 or 30.5 mm with hole adapter kit	22.5 or 30.5 mm with hole adapter kit	22.5 or 30.5 mm with hole adapter kit	22.5 or 30.5 mm with hole adapter kit	22.5 or 30.5 mm with hole adapter kit
Environmental Rating	UL Type 4/4X/13, IP65				
Voltages Available	12...24V AC/DC, 120V AC, 240V AC	12V AC/DC, 24V AC/DC, 120V AC, 240V AC	12V AC/DC, 24V AC/DC, 120V AC, 240V AC	12V AC/DC, 24V AC/DC, 120V AC, 240V AC	12V AC/DC, 24V AC/DC, 120V AC, 240V AC
Illumination Type	—	LED (selectable flashing or continuous)	Strobe	LED (selectable flashing or continuous)	LED (continuous only)
Lens Color Available	—	Green, red, amber, blue, yellow, clear	Green, red, amber, blue, yellow, clear	Green, red, amber, blue, yellow, clear	Green, red, amber, blue, yellow, clear
Operating Temperature	-25...+60 °C	-25...+60 °C	-25...+60 °C	-25...+60 °C	-25...+60 °C
Sound Output	80, 100, or 105 dB	98 or 103 dB	—	—	—
Sound Type	Continuous, pulsing, or wobble (LE)	Continuous, pulsing, or wobble (LE)	—	—	—
Minimum Sound Level	<85 dB	<85 dB	—	—	—
Steady-State Current	20...57 mA	35...73 mA	20...75 mA	10...150 mA	10...150 mA
Diameter	30, 45, 65 mm	45, 65 mm	30, 45, 65 mm	30, 45, 65 mm	30, 45, 65 mm
Certifications	cULus Listed, CE Marked	cULus Listed, CE Marked	cULus Listed, CE Marked	cULus Listed, CE Marked	cULus Listed, CE Marked
Product Selection	Page 11-3	Page 11-4	Page 11-5	Page 11-6	Page 11-7

Bulletin	855L
Type	Panel Light Bars
Operating Temperature	-31...+122 °F (-35...+50 °C)
Storage Temperature	-31...+185 °F (-35...+85 °C)
Wire Size	22...14 AWG (0.5...2.5 mm ²)
Light Beam Angle	~70°
LED Color	White
Light Output	≥410 lumens
Lens Material	Polycarbonate (clear)
Base Material	Polycarbonate (light grey)
Weight	<1 lbs (380 g)
Standards Compliance	EN61000-6-2, EN61000-6-3, EN60947-5-1
Certifications	CE Marked
Product Selection	Page 11-11



Bulletin 855P — Panel Mount Signaling Alarms

- Mounts in standard 22.5 mm hole
- Watertight panel alarms in three different sizes
- Sound output 72...105 dB @ 1 meter
- UL Type 4/4X/13, IP65
- Combination sounder and LED products
- Panel mount strobe or LED indicator products
- Plug-in terminal blocks, IP2X finger-safe rated
- Single-circuit functions include:
 - Sounder with selectable continuous or pulsing tone (also wobble on 65 mm)
 - Combined sounder with LED beacon
 - Xenon flashing strobe
 - LED beacon, selectable steady, or flashing
- Dual-circuit functions include:
 - Two-color LED beacon half-lens illumination
 - Two-color LED beacon full-lens illumination
 - Combined sounder with LED beacon

Table of Contents

Product Selection this page
 Accessories..... 11-7
 Specifications..... 11-8
 Approximate Dimensions..... 11-9

Standards Compliance

EN/IEC 60947-1
 EN/IEC 60947-5-1
 UL 508
 CSA C22.2 No. 14

Certifications

cULus Listed (File No. E14840,
 Guides NKCR, NKCR7)
 CE Marked

Product Selection

Bulletin 855P — Panel Mount Sounder

855P – B 10 ME 22
 a *b* *c* *d*



30 mm Panel Mount Sounder



45 mm Panel Mount Sounder



65 mm Panel Mount Sounder

a

Housing Color	
Code	Description
B	Black

b

Voltage	
Code	Description
30	12...24V AC/DC
10	120V AC
20	240V AC

c

Size	
Code	Description
SE	30 mm, fully-enclosed, smooth front, 72 dB
SH	30 mm, high output, 80 dB
ME	45 mm
LE	65 mm

d

Mounting Hole	
Code	Description
22	22.5 mm

Voltage	Description	Cat. No.
12...24V AC/DC	30 mm diameter, fully-enclosed, smooth front, 72 dB	855P-B30SE22
	30 mm diameter, high output, 80 dB	855P-B30SH22
	45 mm diameter, 100 dB	855P-B30ME22
	65 mm diameter, 105 dB	855P-B30LE22
120V AC	30 mm diameter, fully-enclosed, smooth front, 72 dB	855P-B10SE22
	30 mm diameter, high output, 80 dB	855P-B10SH22
	45 mm diameter, 100 dB	855P-B10ME22
	65 mm diameter, 105 dB	855P-B10LE22

Panel Mount Signaling Alarms

Product Selection

Bulletin 855PC — Panel Mount Combined Sounder with LED Beacon

855PC – B 10 ME 3 22
a *b* *c* *d* *e*



45 mm Panel Mount Combined Sounder with LED Beacon



65 mm Panel Mount Combined Sounder with LED Beacon

a

Housing Color	
Code	Description
B	Black

c

Diameter	
Code	Description
ME	45 mm
LE	65 mm

d

Lens Color	
Code	Description
3	Green
4	Red
5	Amber
6	Blue
7	Clear
8	Yellow

b

Voltage	
Code	Description
12	12V AC/DC
24	24V AC/DC
10	120V AC
20	240V AC

e

Mounting Hole	
Code	Description
22	22.5 mm

Voltage	Diameter [mm]	Lens Color	Cat. No.
24V AC/DC	45	Green	855PC-B24ME322
		Red	855PC-B24ME422
	65	Green	855PC-B24LE322
		Red	855PC-B24LE422
120V AC	45	Green	855PC-B10ME322
		Red	855PC-B10ME422
	65	Green	855PC-B10LE322
		Red	855PC-B10LE422

Bulletin 855PS — Panel Mount Strobe ‡§

855PS – $\frac{B}{a}$ $\frac{10}{b}$ $\frac{ME}{c}$ $\frac{3}{d}$ $\frac{22}{e}$



30 mm Panel Mount Strobe



45 mm Panel Mount Strobe



65 mm Panel Mount Strobe

a

Housing Color	
Code	Description
B	Black

b

Voltage	
Code	Description
12	12V AC/DC
24	24V AC/DC
10	120V AC
20	240V AC
30	12...24V AC/DC

c

Diameter	
Code	Description
SE	30 mm*
ME	45 mm*
LE	65 mm*

* Only available in 12V AC/DC, 24V AC/DC, 120V AC, or 240V AC.
 * Only available in 12...24V AC/DC, 120V, or 240V AC.

d

Lens Color	
Code	Description
3	Green
4	Red
5	Amber
6	Blue
7	Clear
8	Yellow

e

Mounting Hole	
Code	Description
22	22.5 mm

Voltage	Diameter [mm]	Lens Color	Cat. No.
24V AC/DC	30	Green	855PS-B24SE322
		Red	855PS-B24SE422
12...24V AC/DC	45	Green	855PS-B30ME322
		Red	855PS-B30ME422
	65	Green	855PS-B30LE322
		Red	855PS-B30LE422
120V AC	30	Green	855PS-B10SE322
		Red	855PS-B10SE422
	45	Green	855PS-B10ME322
		Red	855PS-B10ME422
	65	Green	855PS-B10LE322
		Red	855PS-B10LE422

‡ 30 mm units are LED type.
 § 45 and 65 mm units are Xenon strobe.

Panel Mount Signaling Alarms

Product Selection

Bulletin 855PB — Panel Mount Selectable Steady or Flashing LED Beacon

855PB – **B** / **10** / **ME** / **3** / **22**
a *b* *c* *d* *e*



30 mm Panel Mount LED Beacon



45 mm Panel Mount LED Beacon



65 mm Panel Mount LED Beacon

a

Housing Color	
Code	Description
B	Black

b

Voltage	
Code	Description
12	12V AC/DC
24	24V AC/DC
10	120V AC
20	240V AC

c

Diameter	
Code	Description
SE	30 mm
ME	45 mm
LE	65 mm

d

Lens Color	
Code	Description
3	Green
4	Red
5	Amber
6	Blue
7	Clear
8	Yellow

e

Mounting Hole	
Code	Description
22	22.5 mm

Voltage	Diameter [mm]	Lens Color	Cat. No.
24V AC/DC	30	Green	855PB-B24SE322
		Red	855PB-B24SE422
	45	Green	855PB-B24ME322
		Red	855PB-B24ME422
	65	Green	855PB-B24LE322
		Red	855PB-B24LE422
120V AC	30	Green	855PB-B10SE322
		Red	855PB-B10SE422
	45	Green	855PB-B10ME322
		Red	855PB-B10ME422
	65	Green	855PB-B10LE322
		Red	855PB-B10LE422



Bulletin 855PD — Panel Mount Dual Circuit Alarms

855PD – **B** / **24** / **ME** / **F** / **3** / **4** / **22**
a b c d e f g



Half-Lens Illumination



Full-Lens Illumination



Combined Sounder with LED Beacon

a

Housing Color	
Code	Description
B	Black

b

Voltage	
Code	Description
12*	12V AC/DC
24	24V AC/DC
10	120V AC
20	240V AC

c

Diameter	
Code	Description
SE	30 mm * †
ME	45 mm
LE	65 mm

d

Function	
Code	Description
F	2-color, full-lens illumination
H	2-color, half-lens illumination with barrier
C	Combined sounder with LED beacon ‡

e

LED Color*/Sound	
Code	Description
1	Sound
3	Green
4	Red
5	Amber ‡
6	Blue
7	Clear
8	Yellow ‡

f

LED Color§	
Code	Description
3	Green
4	Red
5	Amber ‡
6	Blue
7	Clear
8	Yellow ‡

g

Mounting Hole	
Code	Description
22	22.5 mm

* 30 mm available in 24V AC/DC only, for 2-color versions.
 ‡ The sounder with LED is not available in the 30 mm size.
 * Voltage code **12** is only valid for sounder with LED devices.
 † The color combination of **Yellow** and **Amber** is not allowed because of their similarity.
 § For two-color devices, the first color code listed in the cat. no. corresponds to the same side as the panel tab found on the housing. For example: Cat. No. 855PD-B24MEH4322 indicates that the **Red** color is on the same side as the panel tab and the **Green** color is on the opposite side as the panel tab.

The products listed in the table below are typically in stock. Additional configurations (voltage, size, color, and sound) are available with extended leadtimes. Contact your local Rockwell Automation sales office or Allen-Bradley distributor for details on availability and pricing.

Function	Voltage	Diameter [mm]	Color(s)	Cat. No.
Sounder with LED	24V AC/DC	45	Green	855PD-B24MEC1322
		45	Red	855PD-B24MEC1422
	65	Green	855PD-B24LEC1322	
		Red	855PD-B24LEC1422	
	120V AC	45	Green	855PD-B10MEC1322
		45	Red	855PD-B10MEC1422
65	Green	855PD-B10LEC1322		
	Red	855PD-B10LEC1422		
Half-lens, Steady LED Beacon	24V AC/DC	30	Red & Green	855PD-B24SEH4322
		45		855PD-B24MEH4322
		65		855PD-B24LEH4322
	120V AC	45	Red & Green	855PD-B10MEH4322
		65		855PD-B10LEH4322
		65		855PD-B10LEH4322
Full-lens, Steady LED Beacon	24V AC/DC	30	Red & Green	855PD-B24SEF3422
		45		855PD-B24MEF3422
		65		855PD-B24LEF3422
	120V AC	45	Red & Green	855PD-B10MEF3422
		65		855PD-B10LEF3422
		65		855PD-B10LEF3422

Accessories

Description	Cat. No.
22.5...30.5 mm Hole adapter kit	855P-AHA1

Panel Mount Signaling Alarms

Specifications

Panel Sounder and Single/Dual Circuit Panel Sounder with LED

Technical						
Housing:	Base Material	Polycarbonate, black				
	Lens	Polycarbonate, red, amber, yellow, green, blue, and clear				
Protection class		UL Type 4/4X/13, IP65				
Terminals		Plug-in terminal block, up to 2.5 mm ² (14 AWG), IP2X				
Operation temperature range		-25...+60 °C (-13...140 °F)				
Storage temperature range		-25...+85 °C (-13...185 °F)				
Mounting		Central mounting for bore holes 22 mm or 30.5 mm with hole adapter kit (Cat. No. 855P-AHA1)				
Mounting nut torque		1.7 N•m (15 lb•in)				
Electrical						
		Sounder			Sounder with Warning Light	
		65 mm	45 mm	30 mm	65 mm	45 mm
Supply voltage range	12V AC/DC - 50/60 Hz	—	—	—	+/-10%	+/-10%
	24V AC/DC - 50/60 Hz	—	—	—	+/-10%	+/-10%
	12...24V AC/DC - 50/60 Hz	8...26V AC/DC	8...26V AC/DC	10...26V AC/DC	—	—
	120V AC - 50/60 Hz	50...140V AC	50...140V AC	80...140V AC	+/-10%	+/-10%
	230/240V AC - 50/60 Hz	150...260V AC	150...260V AC	180...260V AC	+/-10%	+/-10%
Nominal current — single circuit (dual circuit)	12V AC/DC - 50/60 Hz	—	—	—	50 mA (62 mA)	35 mA (48 mA)
	24V AC/DC - 50/60 Hz	57 mA	20 mA	20 mA	73 mA (95 mA)	58 mA (73 mA)
	120V AC - 50/60 Hz	40 mA	40 mA	20 mA	60 mA (52 mA)	40 mA (51 mA)
	230/240V AC - 50/60 Hz	42 mA	42 mA	20 mA	63 mA (52 mA)	42 mA (51 mA)
Turn-on leakage current		≥3 mA	≥3 mA	≥3 mA	≥3 mA	≥3 mA
Maximum sound level (average)		105 dBA @ 1 m	100 dBA @ 1 m	SE: 72 dBA @ 1 m SH: 80 dBA @ 1 m	103 dBA @ 1 m	98 dBA @ 1 m
Minimum sound level		<85 dB	<85 dB	—	<85 dB	<85 dB
Sound level adjustment		Stepless	Stepless	—	Stepless	Stepless
Sound main frequency		3300 Hz	3300 Hz	3500 Hz	3300 Hz	3300 Hz
Sound types	Continuous	Yes	Yes	Yes	Yes	Yes
	Pulsing*	Yes	Yes	Yes	Yes	Yes
	Alternating frequency*	Yes	No	No	Yes	No
Sound selection		Externally by terminal connection				
Weight		65 g	35 g	25 g	85 g	55 g

* Single Circuit only.

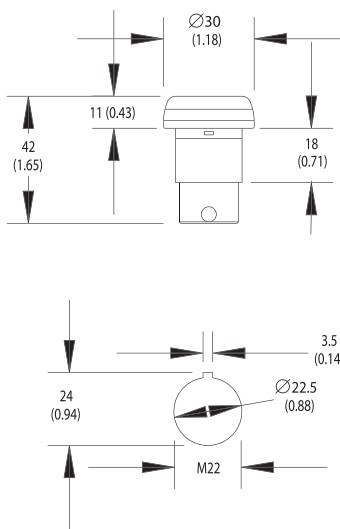
Panel Strobe and Single/Two Color LED Lights

Technical								
Housing:	Base Material	Polycarbonate, black						
	Lens	Polycarbonate, red, amber, yellow, green, blue, and clear						
Protection class	UL Type 4/4X/13, IP2X, IP65							
Terminals	Plug-in terminal block, up to 2.5 mm ² (14 AWG), IP2X finger-safe							
Operation temperature range	-25...+60 °C (-13...+140 °F)							
Storage temperature range	-25...+85 °C (-13...+185 °F)							
Mounting	Central mounting for bore holes 22 mm or 30.5 mm with hole adapter kit (Cat. No. 855P-AHA1)							
Mounting nut torque	1.7 N•m (15 ib•in)							
Electrical								
	LED Beacon — Steady/Flashing			Strobe Light				
		65 mm	45 mm	30 mm	65 mm	45 mm	30 mm	
Supply voltage range	12V AC/DC - 50/60 Hz	+/-10%	+/-10%	+/-10%	—	—	+/-10%	
	24V AC/DC - 50/60 Hz	+/-10%	+/-10%	+/-10%	—	—	+/-10%	
	12...24V AC/DC 50/60 Hz	—	—	—	8...26V AC/DC	8...26V AC/DC	—	
	120V AC - 50/60 Hz	+/-10%	+/-10%	+/-10%	+/-10%	+/-10%	+/-10%	
	230/240V AC - 50/60 Hz	+/-10%	+/-10%	+/-10%	+/-10%	+/-10%	+/-10%	
Nominal current — single color (two color w/ full or half illumination)	12V AC/DC - 50/60 Hz	75 mA	60 mA	30 mA	—	—	15 mA	
	24V AC/DC - 50/60 Hz	54 mA (full: 71 mA half: 44 mA)	35 mA (full: 46 mA half: 39 mA)	25 mA (full: 28 mA half: 30 mA)	—	—	10 mA	
	12...24V AC/DC 50/60 Hz @ 12V	—	—	—	150 mA	110 mA	—	
	12...24V AC/DC 50/60 Hz @ 24V	—	—	—	140 mA	100 mA	—	
	120V AC - 50/60 Hz	25 mA (full: 61 mA half: 41 mA)	25 mA (full: 35 mA half: 35 mA)	20 mA	30 mA	20 mA	10 mA	
	230/240V AC - 50/60 Hz	25 mA (full: 61 mA half: 41 mA)	25 mA (full: 35 mA half: 34 mA)	20 mA	20 mA	12 mA	10 mA	
Turn-on leakage current	≥3 mA		≥3 mA		≥3 mA		≥3 mA	
Steady/Flashing light	Externally by terminal connection					—	—	—
Flashing frequency	2 Hz		2 Hz		2 Hz		min. 1.4 Hz	min. 1.4 Hz
Light source	LED			Xenon tube			LED	
Flash energy	—		—		—		1 J	0.5 J
Weight	60 g		40 g		40 g		80 g	60 g

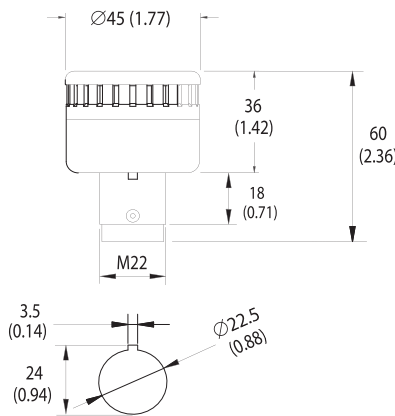
Approximate Dimensions

Dimensions in millimeters (inches). Dimensions are not intended to be used for manufacturing purposes.

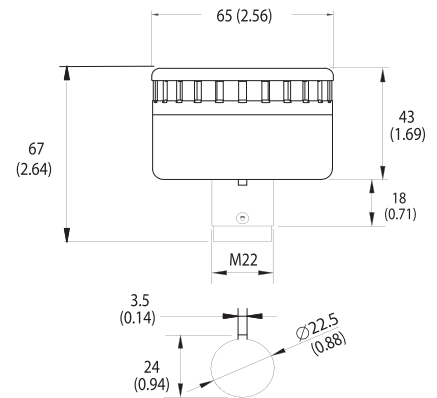
30 mm Sounder*



45 mm Sounder*



65 mm Sounder*

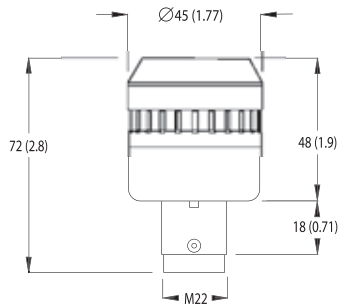


* Terminal connector adds 14 mm (0.55 in.) to back of panel depth.
 * Terminal connector adds 9 mm (0.35 in.) to back of panel depth.

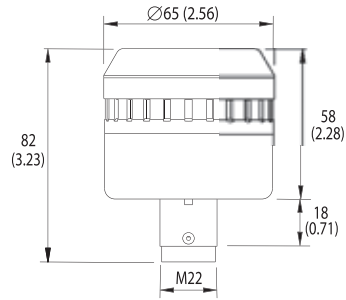
Panel Mount Signaling Alarms

Approximate Dimensions

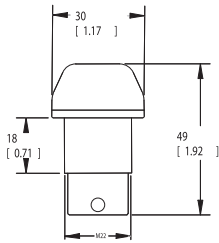
45 mm Combined Sounder with LED Beacon*



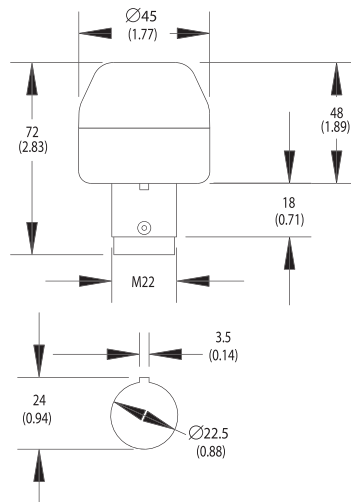
65 mm Combined Sounder with LED Beacon*



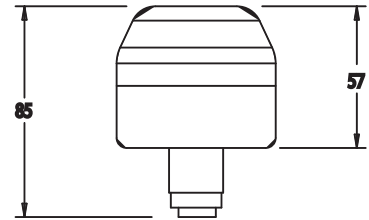
30 mm LED*
30 mm Strobe*





45 mm LED*
45 mm Strobe*





65 mm LED*
65 mm Strobe*



* Terminal connector adds 14 mm (0.55 in.) to back of panel depth.
* Terminal connector adds 9 mm (0.35 in.) to back of panel depth.

 <p>Cat. No. 855L-NX1</p>  <p>Cat. No. 855L-NX2</p>	<p>Bulletin 855L — Panel Light Bars</p> <ul style="list-style-type: none"> • Long LED life unlike fluorescent lights • Energy savings, minimum impact on power supply size • Ideal for environments with high shock and vibration • No transformer required • Low weight due to absence of heavy ballast • No electrical noise unlike fluorescent fixtures • Low heat output • Solid light without flicker • No need to ship separate components once the panel is assembled • No glass or hazardous waste 	<p>Standards Compliance</p> <p>EN61000-6-2 EN61000-6-3 EN60947-5-1</p> <p>Certifications</p> <p>CE Marked</p>
---	---	---

Product Selection

	Description	Supply Voltage	Cat. No.
	With On/Off switch	24...48V AC/DC 50/60 Hz	855L-NX1
		110/120...230/240V AC/DC 50/60 Hz	855L-NX3
	Without On/Off switch	24...48V AC/DC 50/60 Hz	855L-NX2
		110/120...230/240V AC/DC 50/60 Hz	855L-NX4

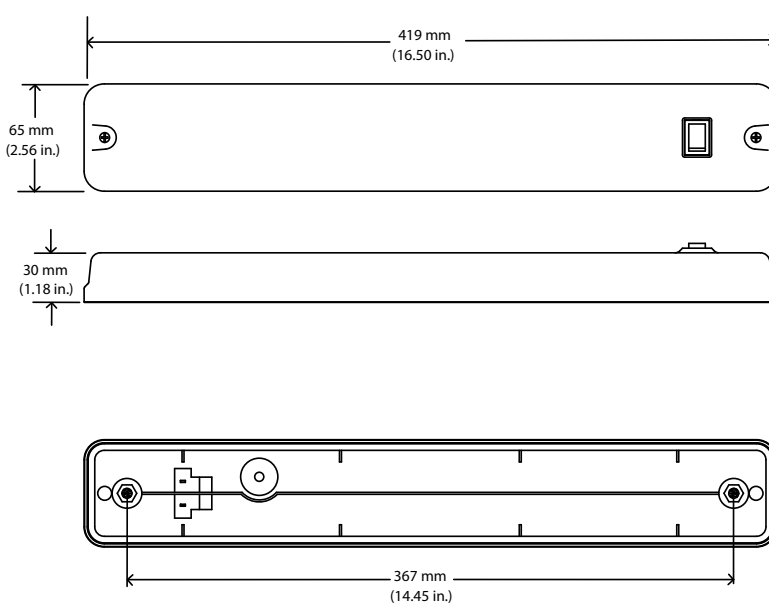
Specifications

	855L-NX1 (24...48V with ON/OFF switch) 855L-NX2 (24...48V - no switch)	855L-NX3 (110...240V with ON/OFF switch) 855L-NX4 (110...240V - no switch)
Nominal Input Voltage	24...48V AC/DC 50/60 Hz	110...240V AC/DC 50/60 Hz
Input Voltage Limits	17...63V DC 17...53V AC 50/60 Hz	90...320V DC 90...250V AC 50/60 Hz
Nominal Current	~300 mA @ 24V DC/ ~150 mA @ 48V DC	<70 mA @ 120V AC/ <55 mA @ 240V AC
Inrush Current	~4 A @ 48V DC, +25 °C	~1.7 A @ 120V AC/ ~3.4 A @ 240V AC
Leakage Current Immunity	>8 mA DC	>3 mA AC/~1 mA DC
Ingress Protection	855L-NX1: NEMA 1, IP40 855L-NX2: NEMA 1, IP44	855L-NX3: NEMA 1, IP40 855L-NX4: NEMA 1, IP44
Operating Temperature Range	-31...+122 °F (-35...+50 °C)	
Storage Temperature Range	-31...+185 °F (-35...+85 °C)	
Wire Size	22...14 AWG (0.5...2.5 mm ²)	
Light Beam Angle	~70°	
LED Color	White	
Light Output	≥410 lumens	
Lens Material	Polycarbonate (clear)	
Base Material	Polycarbonate (light grey)	
Mounting Orientation	No restrictions	
Mounting Screws*	2 X 1/4 in. (M5/ M6)	
Weight	<1 lb (380 g)	
Standards Compliance	EN61000-6-2, EN61000-6-3, EN60947-5-1	
Certifications	CE Marked	
LED MTFB	100 000 hr	

* Not provided.

Bulletin 855L
Panel Light Bars
Approximate Dimensions

Dimensions in millimeters (inches). Dimensions are not intended to be used for manufacturing purposes.



Bulletin 855H, 855B
Industrial Horns and Beacons
 Product Overview

Bulletin	855H	855B	855BS	855BM	855BL
Type	General Purpose Horns and High Performance Horns (with or without Beacons)	Square Beacons	Round Beacons		
			90 mm	120 mm	160 mm
Voltages Available	General Purpose Horn (Standard): 24V AC/DC 50/60 Hz, 120V AC 50/60 Hz, 240V AC 50/60 Hz General Purpose Horn (Enhanced): 10...30V DC, 40...260V AC/DC High Performance Horn: 10...30V DC, 24V AC 50/60 Hz, 110V AC 50/60 Hz, 230V AC 50/60 Hz High Performance Horn w/Beacon: 12V DC, 24V DC, 24V AC 50/60 Hz, 110V AC 50/60 Hz, 230V AC 50/60 Hz	24V AC/DC, 110V AC 50/60 Hz, 230V AC 50/60 Hz	12V AC/DC, 24V AC/DC, 120V AC 50/60 Hz, 240V AC 50/60 Hz		
Illumination Type	5 J strobe	5 J strobe	LED, 7 J strobe, or 20 W halogen	15 J strobe or 35 W halogen	31 J strobe or 50 W halogen
Flash Rate	—	1 Hz	1 Hz strobe and flashing halogen		
Lens Colors Available	Red, green, amber, blue, yellow, clear	Red, green, amber, blue, yellow, clear	Red, green, amber, blue, yellow, clear		
Environmental Rating	General Purpose Horn: Semiflush: UL Type 13/3R, IP54 Surface: UL Type 4/4X/13/3R, IP66 High Performance Horn: UL Type 13/3R, IP56	Type 13, IP66	UL Type 4/4X/13, IP65		
Operating Temp. Range	-25...+55 °C	-25...+55 °C	-25...+60 °C except steady halogen and 120/240V single-color LED are -25...+50 °C	-25...+60 °C, except rotating and steady halogen are -25...+50 °C	-25...+60 °C except rotating and steady halogen are -25...+50 °C
Steady-State Current	General Purpose Horn: 40...220 mA High Performance Horn: Range A: 13...40 mA Range B & C: 15...40 mA Range D: 60...500 mA Range E: 120...1000 mA	24V AC/DC (365/250 mA), 110V AC (100 mA), 230V AC (50 mA)	0.1...1.7 A	0.15...3.2 A	0.21...4.2 A
Sound Output	100...126 dB	—	—	—	—
Horn Tones	General Purpose Horn: 3 Tones High Performance Horn: Range A: 10 Tones Range B & C: 32 Tones Range D & E: 45 Tones	—	—	—	—
Volume Adjustable	Range A, B, C: 16 dB from max. Range D, E: 6 dB from max.	—	—	—	—
Circuits Available	General Purpose Horn: 1 on GPA units, 2 on GPE units High Performance Horn: Range A: 2 on DC units, 1 on AC units Range B, C, D, E: 3 on all units	—	—	—	—
Horn Cover, Base, Beacon Housing, and Lens Material	Polycarbonate (except for ABS: High Performance Horn cover & base)	Polycarbonate	Polycarbonate		
Illumination Functions	—	—	LED (single, strobe, multi-color)	—	
			Strobe, rotating, steady or flashing, halogen		
Certifications	cULus Listed, CE	cULus Listed, CE	cULus Listed, CE		
Product Selection	Page 11-14	Page 11-21	Page 11-23		

General Purpose Electronic Horns

Product Selection/Accessories



Bulletin 855H — General Purpose Electronic Horns

- 108 dB(A) max. (standard version), 113 dB(A) max. (enhanced version)
- Three user-selectable tones to better contrast ambient noise
- Two stages available in the enhanced version
- Stepless volume control via potentiometer to adjust to changing ambient noise
- Lower current consumption at approximately half to one tenth of electromechanical alternative
- Longer life and maintenance-free due to non-moving parts and highly reliable discrete components
- No back EMF at switch off

Suitable for humid, dirty, and corrosive environments

- Surface mount version rated UL Type 4/4X/13/3R, IP66
- Semi-flush mount version rated UL Type 3R/13, IP54
- UV-stable plastics ideal for outdoors

Table of Contents

Product Selection this page
 Accessories..... this page
 Specifications..... 11-19
 Approximate Dimensions..... 11-20

Standards Compliance

UL 464
 CSA C22.2 No. 205
 EN/IEC 60947-1
 EN/IEC 60947-5-1
 EN 6100-6-2
 EN 6100-6-3

Certifications

cULus Listed (File No. S6583,
 Guides UCST, UCST7)
 CE Marked

General Purpose Electronic Horns

Single- or dual-circuit, selectable tone horns, with volume control, for use in general signaling applications.

855H – SG 10 GPA

a *b* *c*

Mounting Type	
Code	Description
FG	Semi-flush wall plate, grey housing
SG	Surface base with two conduit entrances, grey housing

Voltage	
Code	Description
24	24V AC/DC
10	120V AC
20	240V AC
30	10...30V DC
45	40...260V AC/DC 50/60 Hz


Horn Type	
Code	Description
GPA	General purpose, 108 dB(A) max., single stage/circuit, three tones
GPE	Enhanced version, 113 dB(A) max. @ 1 m, two stage, three tones, volume control

Note: Horn type **GPE** (Table c) not valid with mounting type **FG** (Table a) or with voltage codes **24**, **10**, and **20** (Table b).
 Horn type **GPA** (Table c) not valid with voltage codes **30** and **45** (Table b).

Mounting Type	Function	Supply Voltage	Cat. No.
Surface base with conduit entrance	Standard	24V AC/DC	855H-SG24GPA
		120V AC	855H-SG10GPA
		240V AC	855H-SG20GPA
	Enhanced	10...30V DC	855H-SG30GPE
		40...260V AC/DC	855H-SG45GPE
Semi-flush wall plate	Standard	24V AC/DC	855H-FG24GPA
		120V AC	855H-FG10GPA
		240V AC	855H-FG20GPA

Accessories

11

	Description	Cat. No.
	M20 Hole Plug Replacement Kit For use with mounting type SG only	855H-AHPK

General Purpose Electronic Horns

Specifications/Approximate Dimensions

Specifications

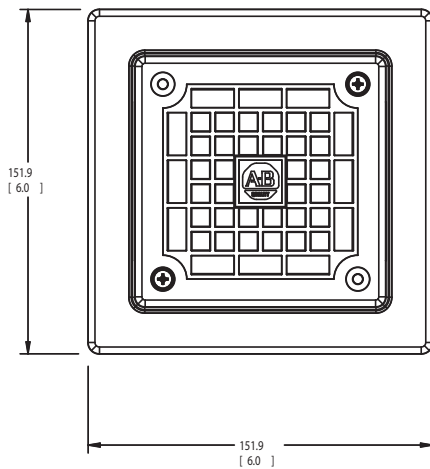
General Purpose Electronic Horns

Environmental Ratings					
Ingress Ratings	Semi-flush Mount	UL Type 3R/13, IP54			
	Surface Mount	UL Type 4/4X/13/3R, IP66			
Temperature Ranges	Operating		Storage		
	-25...+55 °C (-13 ...+131 °F)		-40...+70 °C (-40 ...+158 °F)		
Materials					
Housings including horn cover and base		Polycarbonate			
O-ring		NBR			
Gasket (mounting type FG)		EPDM/SBR closed cell foam			
Performance Ratings					
Sound Output		105±3 dB(A) @ 1 m (standard), 110±3 dB(A) @ 1 m (enhanced)			
Operating Voltages and Currents					
Input Voltage Ranges	Standard (GPA)	DC Voltage	AC Voltage		
		24V DC (+/-25%)	24V AC 50/60 Hz (+/-10%)	120V AC 50/60 Hz (+/-10%)	240V AC 50/60 Hz (+/-10%)
	Enhanced (GPE)	0...30V DC	40...260V AC/DC		
Output Currents @ Nominal Voltage		62 mA	220 mA	40 mA	50 mA

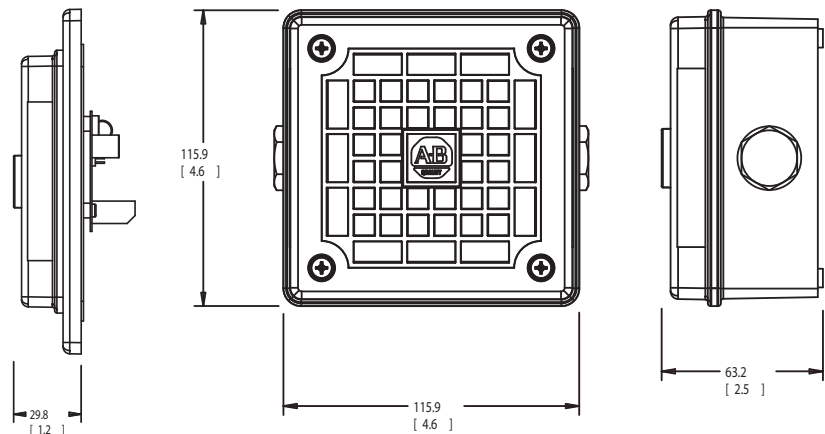
Approximate Dimensions

Dimensions in millimeters (inches). Dimensions are not intended to be used for manufacturing purposes.

Semi-flush Mount



Surface Mount



High-Performance Horns

Product Selection



Bulletin 855H — High-Performance Electronic Horns

- Available as stand-alone electronic horn or with optional xenon strobe beacon
- Decibel range 100...126 dB(A) @ 1 meter, in five sizes to meet broad range of applications
- Up to three stages/circuits in each horn to reduce initial and installation costs when multi-status indication is required
- Up to 45 tone sets selectable via dip-switches
- Automatic tone synchronization when multiple horns are connected
- Lower current consumption compared to electromechanical alternative
- Fine volume control via potentiometer to compensate for changing ambient noise
- Longer life and maintenance-free, due to non-moving parts and highly reliable discrete components
- UV-stable plastic housing, ideal for outdoors
- UL Type 13/3R, IP56

Table of Contents

Industrial Horns this page
 Horns with Beacons . 11-17
 Accessories..... 11-18
 Specifications..... 11-19
 Approximate
 Dimensions..... 11-20

Standards Compliance

UL 464
 CSA C22.2 No. 205
 EN/IEC 60947-1
 EN/IEC 60947-5-1
 EN 6100-6-2
 EN 6100-6-4

Certifications

cULus Listed (File No. S6583,
 Guides UCST, UCST7)
 CE Marked

High-Performance Electronic Horns

855H – **B** **D30** **B** **D**
 a *b* *c* *d*



Range "A" Industrial Horn



Range "C" Industrial Horn



Range "E" Industrial Horn

a

Product Type	
Code	Description
B	Industrial horn, grey housing

b

Voltage	
Code	Description
D30	10...30V DC
A24	24V AC 50/60 Hz
A10	115V AC 50/60 Hz
A20	230V AC 50/60 Hz

c

Horn Type	
Code	Description
A	100 dB, 10 tone, 2-stage (DC)
	100 dB, 10 tone, 1-stage (AC)
B	104 dB, 32 tone, 3-stage (DC)
	104 dB, 32 tone, 3-stage (AC)
C	112 dB, 32 tone, 3-stage (DC)
	112 dB, 32 tone, 3-stage (AC)
D	119 dB, 45 tone, 3-stage (DC)
	119 dB, 45 tone, 3-stage (AC)
E	126 dB, 45 tone, 3-stage (DC)
	126 dB, 45 tone, 3-stage (AC)

d

Mount Option	
Code	Description
D	Standard base for surface or on-the-wall mounting with conduit openings and hole plugs

Sound Output	Supply Voltage	Cat. No.
100 dB max. at 1 m, 2 circuit DC, 1 circuit AC, 10 selectable tones	10...30V DC	855H-BD30AD
	115V AC, 50/60 Hz	855H-BA10AD
104 dB max. at 1 m, 3 circuit AC or DC, 32 selectable tones	10...30V DC	855H-BD30BD
	115V AC, 50/60 Hz	855H-BA10BD
112 dB max. at 1 m, 3 circuit AC or DC, 32 selectable tones	10...30V DC	855H-BD30CD
	115V AC, 50/60 Hz	855H-BA10CD
119 dB max. at 1 m, 3 circuit AC or DC, 45 selectable tones	10...30V DC	855H-BD30DD
	115V AC, 50/60 Hz	855H-BA10DD
126 dB max. at 1 m, 3 circuit AC or DC, 45 selectable tones	10...30V DC	855H-BD30ED
	115V AC, 50/60 Hz	855H-BA10ED



High-Performance Electronic Horns with Attached Strobe Beacons

855H – BC D12 E D R 3
 a *b* *c* *d* *e* *f*



Range "A" Horn with Beacon



Range "C" Horn with Beacon



Range "E" Horn with Beacon

a

Product Type	
Code	Description
BC	Electronic horn with Xenon strobe beacon, grey housing

b

Voltage	
Code	Description
D12	12V DC
D24	24V DC
A24	24V AC 50/60 Hz
A10	115V AC 50/60 Hz
A20	230V AC 50/60 Hz

c

Horn Type	
Code	Description
A	100 dB, 10 tone, 2-stage (DC)
	100 dB, 10 tone, 1-stage (AC)
B	104 dB, 32 tone, 3-stage (DC)
	104 dB, 32 tone, 3-stage (AC)
C	112 dB, 32 tone, 3-stage (DC)
	112 dB, 32 tone, 3-stage (AC)
D	119 dB, 45 tone, 3-stage (DC)
	119 dB, 45 tone, 3-stage (AC)
E	126 dB, 45 tone, 3-stage (DC)
	126 dB, 45 tone, 3-stage (AC)

d

Mount Option	
Code	Description
D	Standard base for surface or on-the-wall mounting with conduit openings and hole plugs

e

Illuminated Function	
Code	Description
R	5J strobe

f


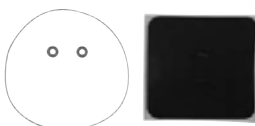

Lens Color	
Code	Description
3	Green
4	Red
5	Amber
6	Blue
7	Clear
8	Yellow

High-Performance Horns

Product Selection/Accessories

Sound Output	Voltage	Beacon Lens Color	Cat. No.
100 dB max. at 1 m, 2 circuit DC, 1 circuit AC, 10 selectable tones	24V DC	Green	855H-BCD24ADR3
		Red	855H-BCD24ADR4
		Amber	855H-BCD24ADR5
	115V AC, 50/60 Hz	Green	855H-BCA10ADR3
		Red	855H-BCA10ADR4
		Amber	855H-BCA10ADR5
104 dB max. at 1 m, 3 circuit AC or DC, 32 selectable tones	24V DC	Green	855H-BCD24BDR3
		Red	855H-BCD24BDR4
		Amber	855H-BCD24BDR5
	115V AC, 50/60 Hz	Green	855H-BCA10BDR3
		Red	855H-BCA10BDR4
		Amber	855H-BCA10BDR5
112 dB max. at 1 m, 3 circuit AC or DC, 32 selectable tones	24V DC	Green	855H-BCD24CDR3
		Red	855H-BCD24CDR4
		Amber	855H-BCD24CDR5
	115V AC, 50/60 Hz	Green	855H-BCA10CDR3
		Red	855H-BCA10CDR4
		Amber	855H-BCA10CDR5
119 dB max. at 1 m, 3 circuit AC or DC, 45 selectable tones	24V DC	Green	855H-BCD24DDR3
		Red	855H-BCD24DDR4
		Amber	855H-BCD24DDR5
	115V AC, 50/60 Hz	Green	855H-BCA10DDR3
		Red	855H-BCA10DDR4
		Amber	855H-BCA10DDR5
126 dB max. at 1 m, 3 circuit AC or DC, 45 selectable tones	24V DC	Green	855H-BCD24EDR3
		Red	855H-BCD24EDR4
		Amber	855H-BCD24EDR5
	115V AC, 50/60 Hz	Green	855H-BCA10EDR3
		Red	855H-BCA10EDR4
		Amber	855H-BCA10EDR5

Accessories

	Description		Cat. No.
	M20 Hole Plug Replacement Kit		855H-AHPK
 <i>Cat. No. 855H-AGKBAB</i>	Description	Type	Cat. No.
	Gasket Set Replacement Kit	Range A, B, and Beacon Light	855H-AGKBAB
		Range C Horn	855H-AGKC
		Range D Horn	855H-AGKD
Range E Horn		855H-AGKE	
	Description	Color	Cat. No.
	Replacement Beacon Light Lens	Red	855B-ABLR
		Green	855B-ABLG
		Amber	855B-ABLA
		Blue	855B-ABLB
		Clear	855B-ABLCL
Yellow		855B-ABLY	



Industrial Electronic Horns and Horns with Strobe Beacons

Mechanical Ratings					
Shock and Vibration		Listed below are reference guidelines for maximum shock and vibration standards for the 855H.			
		Shock		Vibration	
Range A Horn		15 G Peak		3 G Peak	
Range B Horn		15 G Peak		3 G Peak	
Range C Horn		15 G Peak		3 G Peak	
Range D Horn		15 G Peak		3 G Peak	
Range E Horn		15 G Peak		1 G Peak	
Range A Horn with Strobe Beacon		15 G Peak		3 G Peak	
Range B Horn with Strobe Beacon		15 G Peak		3 G Peak	
Range C Horn with Strobe Beacon		15 G Peak		3 G Peak	
Range D Horn with Strobe Beacon		15 G Peak		3 G Peak	
Range E Horn with Strobe Beacon		15 G Peak		1 G Peak	
Environmental Ratings					
Ingress Ratings	Electronic Horns	UL Type 13/3R, IP56			
	Horn with Beacon	UL Type 13, IP56			
Temperature Ranges	Electronic Horns	Operating		Storage	
	Horns with Beacons	-13...+131 °F (-25...+55 °C)		-40...+167 °F (-40...+75 °C)	
		-13...+131 °F (-25...+55 °C)		-40...+167 °F (-40...+75 °C)	
Materials					
Horn Cover and Base		ABS			
Beacon Housing		Polycarbonate			
Beacon Lens		Polycarbonate			
Gasket (Cover to Base)		Nitrile 70			
Gasket (Enclosure back to wall)		Nitrile 70			
Gasket (Horn to Beacon)		Nitrile 70			
Gasket (Screw Mounting Hole)		Fiber			
Performance Ratings					
Sound Output					
Range A Horn		100 dB max. @ 1 meter			
Range B Horn		104 dB max. @ 1 meter			
Range C Horn		112 dB max @ 1 meter			
Range D Horn		119 dB max @ 1 meter			
Range E Horn		126 dB max @ 1 meter			
Xenon Lamp Rating					
Strobe Beacon		5 Joule Output			
Operating Voltage					
DC Voltage					
All Horns	10...30V DC		24V AC 50/60 Hz (+/-10%)	115V AC 50/60 Hz (+/-10%)	230V AC 50/60 Hz (+/-10%)
	12V DC (+/-10%)	24V DC (+/-10%)	24V AC 50/60 Hz (+/-10%)	115V AC 50/60 Hz (+/-10%)	230V AC 50/60 Hz (+/-10%)
All Horns with Strobe Beacon	12V DC (+/-10%)	24V DC (+/-10%)	24V AC 50/60 Hz (+/-10%)	115V AC 50/60 Hz (+/-10%)	230V AC 50/60 Hz (+/-10%)
Current Consumption					
Horns	Range A	Range B	Range C	Range D	Range E
10...30V DC	25 mA	25 mA	25 mA	200 mA	950 mA
24V AC 50/60 Hz	40 mA	40 mA	40 mA	500 mA	1000mA
115V AC 50/60 Hz	13 mA	20 mA	20 mA	100 mA	240 mA
240V AC 50/60 Hz	13 mA	15 mA	15 mA	60 mA	120 mA
Horns with Strobe Beacon					
12V DC	525 mA	525 mA	525 mA	700 mA	1450 mA
24V DC	275 mA	275 mA	275 mA	450 mA	1200 mA
24V AC	405 mA	405 mA	405 mA	865 mA	1200 mA
115V AC	113 mA	120 mA	120 mA	200 mA	340 mA
240V AC	63 mA	65 mA	65 mA	110 mA	170 mA
Flashing Frequency					
Strobe Beacon	1 Hz				

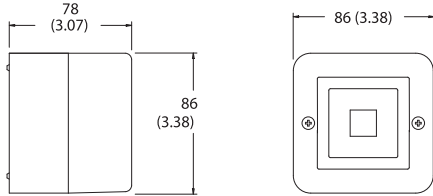
High-Performance Horns

Approximate Dimensions

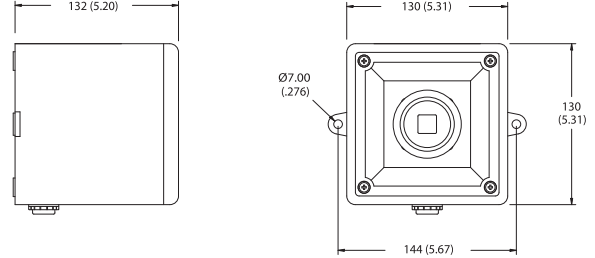
Dimensions in millimeters (inches). Dimensions are not intended to be used for manufacturing purposes.

Horns

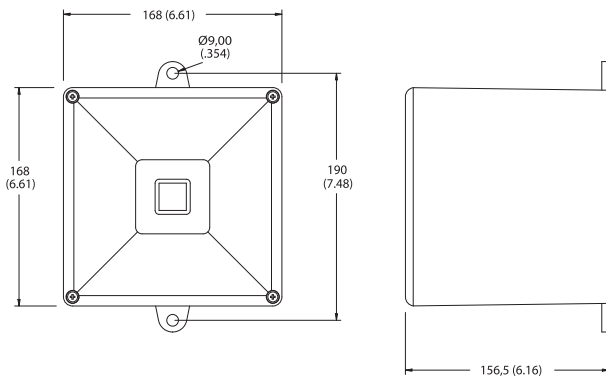
Range A&B



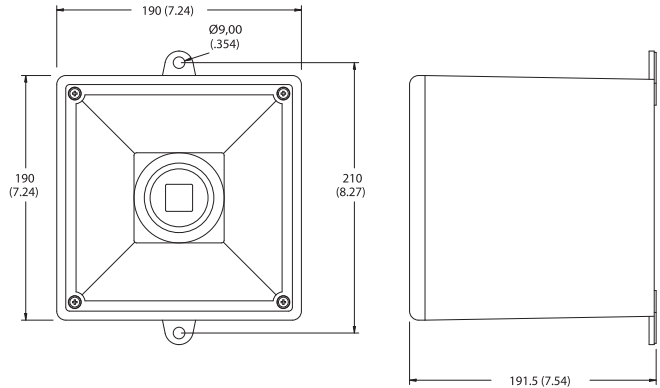
Range C



Range D

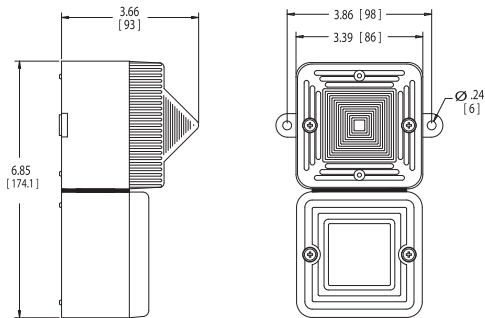


Range E

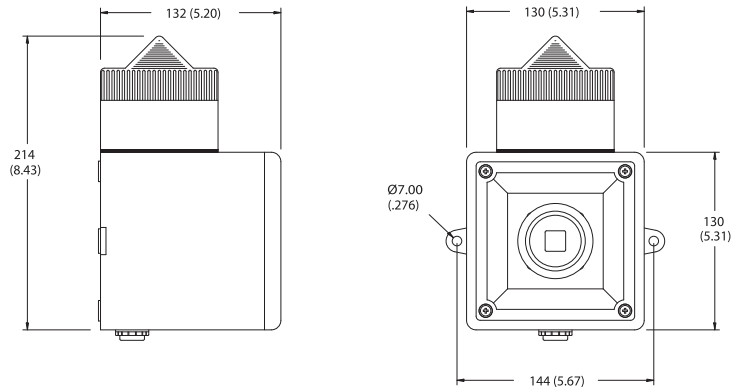


Horns with Beacons

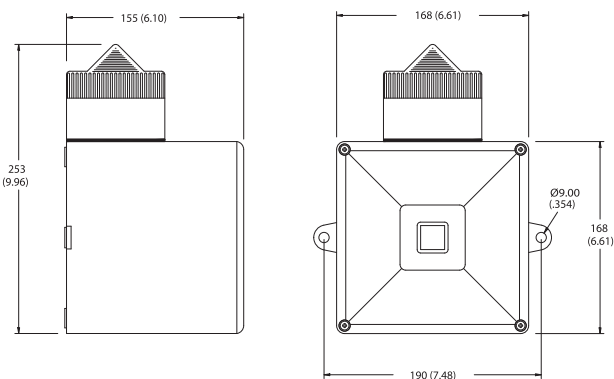
Range A&B



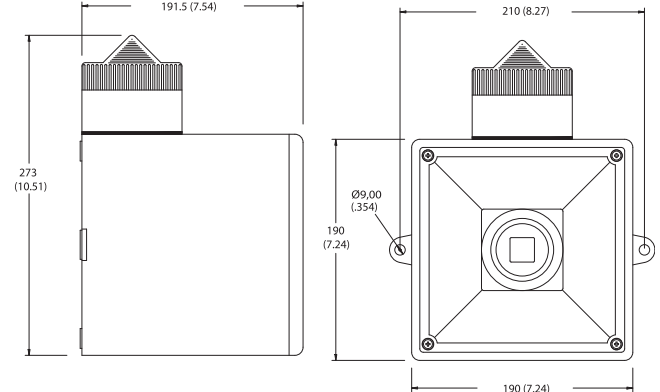
Range C



Range D




Range E



Mini Square Beacons

Accessories/Specifications/Approximate Dimensions

Accessories

	Description	Color	Cat. No.
	Replacement Beacon Light Lens	Red	855B-ABLR
		Green	855B-ABLG
		Amber	855B-ABLA
		Blue	855B-ABLB
		Clear	855B-ABLC
		Yellow	855B-ABLY

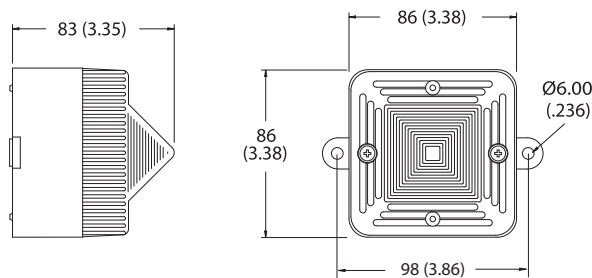
Specifications

Mechanical Ratings			
Shock and Vibration	Listed below are reference guidelines for maximum shock and vibration standards for the Bul. 855B beacon lights.		
All Strobe Beacons	Shock 50 G Peak	Vibration 5 G Peak	
Environmental Ratings			
Ingress Ratings	UL Type 13/3R, IP66		
Operating Temperature Ratings — All Strobe Beacons	-12...+131 °F (-25...+55 °C)		
Materials			
Housing and Lens	Polycarbonate		
Gaskets	Nitrile 70		
Performance Ratings			
All Strobe Beacons	Xenon Lamp Rating 5 Joule		
Operating Voltage			
All Strobe Beacons	24V AC/DC 230V (+/-20%)	120V AC 50/60 Hz (+/-10%)	230V AC 50/60 Hz. (+/- 10%)
Current Consumption			
All Strobe Beacons	24V AC/DC 365 mA/250 mA	120V AC 100 mA	230V AC 50 mA
Flashing Frequency			
All Strobe Beacons	1 Hz		

Approximate Dimensions

Dimensions in millimeters (inches). Dimensions are not intended to be used for manufacturing purposes.

Mini Square Beacon





Bulletin 855BS, 855BM, 855BL — Industrial Round Beacons

- Six colors available
- LED illumination functions:
 - Single-color LED with user-selectable steady burning or flashing function
 - Three-color LED (red, green, amber)
 - LED Strobe with user-selectable single or double flash
 - Halogen functions: steady, flashing, or rotating
 - Xenon function: strobe
- Surface, NPT conduit, or tube mounting options
- UL Type 4/4X/13, IP65

Table of Contents

90 mm Beacons..... this page
 120 mm Beacons 11-25
 160 mm Beacons 11-26
 Accessories..... 11-27
 Specifications..... 11-30
 Approx. Dimensions . 11-31

Standards Compliance

UL 508
 EN/IEC 60947-1
 EN/IEC 60947-5-1
 CSA 22.2 No. 14

Certifications

cULus Listed (File No. E14840,
 Guides NKCR, NKCR7)
 CE Marked

Product Selection

Bulletin 855BS — 90 mm Beacons

855BS – S 10 RH 3
 a b c d

a

Base Type	
Code	Description
S	Surface mount*
N	1/2 in. NPT conduit mount
T	25 mm tube mount§

b

Voltage	
Code	Description
12	12V AC/DC
24	24V AC/DC
10	120V AC
20	240V AC
35	24/48V AC/DC
45	120/240V AC/DC

c

Function	
Code	Description
DH	Steady halogen
FH	Flashing halogen
RH	Rotating halogen
BR	Xenon tube strobe‡
SL	LED single color selectable steady/flash➤
ML	LED three color⌘❖
BL	LED strobe selectable single/double flash+

d

LED/Lens Color	
Code	Description
345	Green, red, amber❖
3	Green
4	Red
5	Amber
6	Blue
7	Clear
8	Yellow

* Surface mount base must be installed with rough wall plate for UL Type 4/4X/13 rating, otherwise UL Type 1 only.

‡ Not available in 12V AC/DC.

§ 25 mm tube mount is UL Recognized, other mounting types are UL Listed.

➤ SL function uses 35 (16...60V AC/16...80V DC) and 45 (90...250V AC/DC) voltage codes only.

⌘ ML function uses 24, 10, and 20 voltage codes only.

+ BL function uses 35 (19...52V AC/16...60V DC), 10, and 20 voltage codes only.

❖ Green, Red, Amber color combination is only valid for the three color LED selection (ML).

Round Beacons

Product Selection

90 mm Beacons

Base Type	Voltage	Function	Color	Cat. No.
Surface Mount*	24V AC/DC	Steady Halogen	Red	855BS-S24DH4
			Amber	855BS-S24DH5
		Rotating Halogen	Red	855BS-S24RH4
			Amber	855BS-S24RH5
		Xenon Strobe	Red	855BS-S24BR4
			Amber	855BS-S24BR5
	120V AC	Steady Halogen	Red	855BS-S10DH4
			Amber	855BS-S10DH5
		Rotating Halogen	Red	855BS-S10RH4
			Amber	855BS-S10RH5
		Xenon Strobe	Red	855BS-S10BR4
			Amber	855BS-S10BR5
1/2 in. NPT Conduit Mount	24V AC/DC	Steady Halogen	Red	855BS-N24DH4
			Amber	855BS-N24DH5
		Rotating Halogen	Red	855BS-N24RH4
			Amber	855BS-N24RH5
		Xenon Strobe	Red	855BS-N24BR4
			Amber	855BS-N24BR5
	120V AC	Steady Halogen	Red	855BS-N10DH4
			Amber	855BS-N10DH5
		Rotating Halogen	Red	855BS-N10RH4
			Amber	855BS-N10RH5
		Xenon Strobe	Red	855BS-N10BR4
			Amber	855BS-N10BR5

90 mm LED Beacons

Base Type	Voltage	Function	Color	Cat. No.
Surface Mount*	24/48V AC/DC	Single-Color LED	Red	855BS-S35SL4
			Amber	855BS-S35SL5
			Blue	855BS-S35SL6
			Red	855BS-S45SL4
			Amber	855BS-S45SL5
			Blue	855BS-S45SL6
	120/240V AC/DC	Three-Color LED	Green, Red, Amber	855BS-S24ML345
			Green, Red, Amber	855BS-S10ML345
	24V AC/DC	Single/Double Strobe LED	Red	855BS-S35BL4
			Amber	855BS-S35BL5
	120V AC	Single/Double Strobe LED	Blue	855BS-S35BL6
			Red	855BS-S10BL4
1/2 in. NPT Conduit Mount	24/48V AC/DC	Single-Color LED	Red	855BS-N35SL4
			Amber	855BS-N35SL5
			Blue	855BS-N35SL6
			Red	855BS-N45SL4
			Amber	855BS-N45SL5
			Blue	855BS-N45SL6
	120/240V AC/DC	Three-Color LED	Green, Red, Amber	855BS-N24ML345
			Green, Red, Amber	855BS-N10ML345
	24V AC/DC	Single/Double Strobe LED	Red	855BS-N35BL4
			Amber	855BS-N35BL5
	120V AC	Single/Double Strobe LED	Blue	855BS-N35BL6
			Red	855BS-N10BL4

* When used outdoors, surface mount base must be installed with rough wall plate for NEMA Type 4/4X/13 rating, otherwise NEMA Type 1 only.

Bulletin 855BM — 120 mm Beacons

855BM – S 10 FH 4
 a b c d

Base Type	
Code	Description
S	Surface mount*
N	1/2 in. NPT conduit mount
T	25 mm tube mount

Voltage	
Code	Description
12	12V AC/DC
24	24V AC/DC
10	120V AC
20	240V AC

Function	
Code	Description
DH	Steady halogen
FH	Flashing halogen
RH	Rotating halogen
BR	Xenon strobe†

Lens Color	
Code	Description
3	Green
4	Red
5	Amber
6	Blue
7	Clear
8	Yellow

* When used outdoors surface mount base must be installed with rough wall plate for UL Type 4/4X/13 rating, otherwise UL Type 1 only.
 † Not available in 12V AC/DC.

Base Type	Voltage	Function	Color	Cat. No.
Surface Mount*	24V AC/DC	Steady Halogen	Red	855BM-S24DH4
			Amber	855BM-S24DH5
			Blue	855BM-S24DH6
		Rotating Halogen	Red	855BM-S24RH4
			Amber	855BM-S24RH5
			Blue	855BM-S24RH6
		Strobe	Red	855BM-S24BR4
			Amber	855BM-S24BR5
			Blue	855BM-S24BR6
	120V AC	Steady Halogen	Red	855BM-S10DH4
			Amber	855BM-S10DH5
			Blue	855BM-S10DH6
		Rotating Halogen	Red	855BM-S10RH4
			Amber	855BM-S10RH5
			Blue	855BM-S10RH6
		Strobe	Red	855BM-S10BR4
			Amber	855BM-S10BR5
			Blue	855BM-S10BR6
1/2 in. NPT Conduit Mount	24V AC/DC	Steady Halogen	Red	855BM-N24DH4
			Amber	855BM-N24DH5
			Blue	855BM-N24DH6
		Rotating Halogen	Red	855BM-N24RH4
			Amber	855BM-N24RH5
			Blue	855BM-N24RH6
		Strobe	Red	855BM-N24BR4
			Amber	855BM-N24BR5
			Blue	855BM-N24BR6
	120V AC	Steady Halogen	Red	855BM-N10DH4
			Amber	855BM-N10DH5
			Blue	855BM-N10DH6
		Rotating Halogen	Red	855BM-N10RH4
			Amber	855BM-N10RH5
			Blue	855BM-N10RH6
		Strobe	Red	855BM-N10BR4
			Amber	855BM-N10BR5
			Blue	855BM-N10BR6
			Clear	855BM-N10BR7

* When used outdoors surface mount base must be installed with rough wall plate for UL Type 4/4X/13 rating, otherwise UL Type 1 only.

Round Beacons

Product Selection

Bulletin 855BL — 160 mm Beacons

855BL –
a *b* *c* *d*

<i>a</i> Base Type	
Code	Description
S	Surface mount*
N	1 in. NPT conduit mount
T	30 mm tube mount

<i>b</i> Voltage	
Code	Description
12	12V AC/DC
24	24V AC/DC
10	120V AC
20	240V AC

<i>c</i> Function	
Code	Description
DH	Steady halogen
FH	Flashing halogen
RH	Rotating halogen
BR	Xenon strobe†

<i>d</i> Lens Color	
Code	Description
3	Green
4	Red
5	Amber
6	Blue
7	Clear
8	Yellow

* When used outdoors surface mount base must be installed with rough wall plate for UL Type 4/4X/13 rating, otherwise UL Type 1 only.
 † Not available in 12V AC/DC.

Base Type	Voltage	Function	Color	Cat. No.
Surface Mount*	24V AC/DC	Steady Halogen	Red	855BL-S24DH4
			Amber	855BL-S24DH5
			Blue	855BL-S24DH6
		Rotating Halogen	Red	855BL-S24RH4
			Amber	855BL-S24RH5
			Blue	855BL-S24RH6
		Strobe	Red	855BL-S24BR4
			Amber	855BL-S24BR5
			Blue	855BL-S24BR6
	120V AC	Steady Halogen	Red	855BL-S10DH4
			Amber	855BL-S10DH5
			Blue	855BL-S10DH6
		Rotating Halogen	Red	855BL-S10RH4
			Amber	855BL-S10RH5
			Blue	855BL-S10RH6
		Strobe	Red	855BL-S10BR4
			Amber	855BL-S10BR5
			Blue	855BL-S10BR6
1 in. NPT Conduit Mount	24V AC/DC	Steady Halogen	Red	855BL-N24DH4
			Amber	855BL-N24DH5
			Blue	855BL-N24DH6
		Rotating Halogen	Red	855BL-N24RH4
			Amber	855BL-N24RH5
			Blue	855BL-N24RH6
		Strobe	Red	855BL-N24BR4
			Amber	855BL-N24BR5
			Blue	855BL-N24BR6
	120V AC	Steady Halogen	Red	855BL-N10DH4
			Amber	855BL-N10DH5
			Blue	855BL-N10DH6
		Rotating Halogen	Red	855BL-N10RH4
			Amber	855BL-N10RH5
			Blue	855BL-N10RH6
		Strobe	Red	855BL-N10BR4
			Amber	855BL-N10BR5
			Blue	855BL-N10BR6
		Clear		855BL-N10BR7

Lamps

855B M - LH 10
 a b c

Size	
Code	Description
S	90 mm
M	120 mm
L	160 mm

Function	
Code	Description
LH	Halogen

Voltage	
Code	Description
12	12V AC/DC
24	24V AC/DC
10	120V AC
20	240V AC

Lenses

855B L - AFL 4
 a b c

Size	
Code	Description
S	90 mm
M	120 mm
L	160 mm

Function	
Code	Description
ASL	Replacement smooth lens‡
AFL	Replacement Fresnel lens*
ALL	Replacement LED lens§

Lens Color	
Code	Description
3	Green
4	Red
5	Amber
6	Blue
7	Clear
8	Yellow

‡ Smooth lens for rotating function only.

* Fresnel lens not for use with LED beacons.

§ LED lens for 90 mm only.

Power Module Assemblies

855B L - ARA 10
 a b c

Size	
Code	Description
S	90 mm
M	120 mm
L	160 mm

Function	
Code	Description
ARA	Replacement rotating power module
ADA	Replacement steady power module
AFA	Replacement flashing power module
ABA	Replacement strobe power module

Voltage	
Code	Description
12	12V AC/DC
24	24V AC/DC
10	120V AC
20	240V AC

Miscellaneous Accessories and Replacement Parts

855B M - LS
 a b

Size	
Code	Description
S	90 mm
M	120 mm
L	160 mm







Function	
Code	Description
ALSG	Lens gaskets (bag of 5)
AMM	Magnetic mount
ASFG	Surface mount gaskets (bag of 5)
AMTG	Metric tube gaskets (bag of 5)
AWP	Rough wall plate*
AVM	Vertical bracket
LS	Strobe tube (120 mm or 160 mm only)
ABS	Surface mount base*
ABN	NPT conduit mount base
ABT	Tube mount base

* Required for UL Type 4/4X/13 rating when using surface mount base outdoors.






* When used outdoors surface mount base must be installed with rough wall plate for UL Type 4/4X/13 rating, otherwise UL Type 1 only.

Round Beacons

Accessories

Description		90 mm	120 mm	160 mm		
	Replacement Lamps	Voltage	Cat. No.	Cat. No.		
	Xenon strobe tube	—	855BM-LS	855BL-LS		
	Halogen for steady burning, flashing, and rotating illumination functions	12V AC/DC	855BS-LH12	855BM-LH12	855BL-LH12	
		24V AC/DC	855BS-LH24	855BM-LH24	855BL-LH24	
		120V AC	855BS-LH10	855BM-LH10	855BL-LH10	
240V AC	855BS-LH20	855BM-LH20	855BL-LH20			
	Replacement Lenses	Lens Color	Cat. No.	Cat. No.		
	Smooth lens for rotating beacon only	Green	855BS-ASL3	855BM-ASL3	855BL-ASL3	
		Red	855BS-ASL4	855BM-ASL4	855BL-ASL4	
		Amber	855BS-ASL5	855BM-ASL5	855BL-ASL5	
		Blue	855BS-ASL6	855BM-ASL6	855BL-ASL6	
		Clear	855BS-ASL7	855BM-ASL7	855BL-ASL7	
		Yellow	855BS-ASL8	855BM-ASL8	855BL-ASL8	
		Fresnel lens for steady and flashing halogen and xenon strobe functions (not for use in LED beacons)	Green	855BS-AFL3	855BM-AFL3	855BL-AFL3
			Red	855BS-AFL4	855BM-AFL4	855BL-AFL4
Amber	855BS-AFL5		855BM-AFL5	855BL-AFL5		
Blue	855BS-AFL6		855BM-AFL6	855BL-AFL6		
Clear	855BS-AFL7	855BM-AFL7	855BL-AFL7			
Yellow	855BS-AFL8	855BM-AFL8	855BL-AFL8			
	LED lens for 90 mm beacons only	Green	855BS-ALL3	—	—	
		Red	855BS-ALL4	—	—	
		Amber	855BS-ALL5	—	—	
		Blue	855BS-ALL6	—	—	
		Clear	855BS-ALL7	—	—	
		Yellow	855BS-ALL8	—	—	
	Power Modules†	Voltage	Cat. No.	Cat. No.		
	Rotating power module	12V AC/DC	855BS-ARA12	855BM-ARA12	855BL-ARA12	
		24V AC/DC	855BS-ARA24	855BM-ARA24	855BL-ARA24	
		120V AC	855BS-ARA10	855BM-ARA10	855BL-ARA10	
		240V AC	855BS-ARA20	855BM-ARA20	855BL-ARA20	
		Steady power module	12V AC/DC	855BS-ADA12	855BM-ADA12	855BL-ADA12
			24V AC/DC	855BS-ADA24	855BM-ADA24	855BL-ADA24
			120V AC	855BS-ADA10	855BM-ADA10	855BL-ADA10
			240V AC	855BS-ADA20	855BM-ADA20	855BL-ADA20
		Flashing power module	12V AC/DC	855BS-AFA12	855BM-AFA12	855BL-AFA12
24V AC/DC			855BS-AFA24	855BM-AFA24	855BL-AFA24	
120V AC			855BS-AFA10	855BM-AFA10	855BL-AFA10	
240V AC			855BS-AFA20	855BM-AFA20	855BL-AFA20	
	Strobe power module	24V AC/DC	855BS-ABA24	855BM-ABA24	855BL-ABA24	
		120V AC	855BS-ABA10	855BM-ABA10	855BL-ABA10	
		240V AC	855BS-ABA20	855BM-ABA20	855BL-ABA20	

† All power modules include a lamp.

	Description	90 mm	120 mm	160 mm
	Replacement Bases	Cat. No.	Cat. No.	Cat. No.
	Surface mount base*	855BS-ABS	855BM-ABS	855BL-ABS
	1/2 in. NPT conduit mount base	855BS-ABN	855BM-ABN	855BL-ABN
	Tube mount base	855BS-ABT	855BM-ABT	855BL-ABT
	Miscellaneous Accessories and Replacement Parts	Cat. No.	Cat. No.	Cat. No.
	Lens gasket (must order in multiples of 5)	855BS-ALSG	855BM-ALSG	855BL-ALSG
	Surface mount gaskets (must order in multiples of 5)	855BS-ASFG	855BM-ASFG	855BL-ASFG
	Tube mount gaskets (must order in multiples of 5)	855BM-AMTG	855BM-AMTG	855BL-AMTG
	Magnetic mount	855BS-AMM	855BM-AMM	855BL-AMM
	Rough wall plate*	855BS-AWP	855BM-AWP	855BL-AWP
	Vertical bracket	855BS-AVM	855BM-AVM	855BL-AVM
	Screws and washers for rough wall plate and magnetic mount	855BS-ASCW	855BM-ASCW	
	Bonding kit (required for bonding between conduit connections)		855BM-ABK	

* When used outdoors surface mount base must be installed with rough wall plate for UL Type 4/4X/13 rating.

* Required for UL Type 4/4X/13 rating when using surface mount base outdoors.

Round Beacons

Specifications

Specifications

Technical	
Base material	Polycarbonate
Lenses (all)	Polycarbonate, red, amber, yellow, green, blue, and clear
Housing	Pole mount base
	90 mm: polycarbonate 120 mm and 160 mm: aluminum die cast, powder-coated
Bracket	Powder-coated steel
Protection class	Type 4/4X/13 (surface mount base must be installed with rough wall plate for Type 4/4X/13 rating), IP65
Terminals (120 mm and 160 mm only)	up to 2.5 mm ² (14 AWG)
Operation temperature range	-25...+60 °C (-13...+140 °F); -25...+50 °C (-13...+122 °F), 120 & 160 mm steady halogen, and 120/240V AC single-color LED
Storage temperature range	-25...+85 °C (-13...185 °F)
Mounting	Horizontal surfaces: indoor — direct to the surface, outdoor — with additional metal plate between surface and base part Vertical surfaces: with bracket, for indoor and outdoor Tube or NPT conduit mounting: for indoor and outdoor

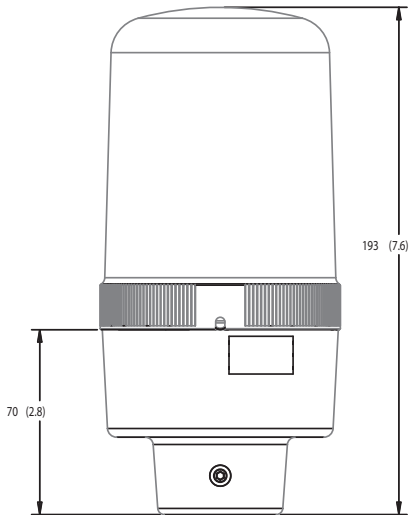
Electrical and Mechanical													
	Steady Halogen			Flashing Halogen			Strobe			Rotating Light			
	160 mm	120 mm	90 mm	160 mm	120 mm	90 mm	160 mm	120 mm	90 mm	160 mm	120 mm	90 mm	
Halogen bulb	50 W	35 W	20 W	50 W	35 W	20 W	—	—	—	50 W	35 W	20 W	
Bulb socket	GY6.35	GY6.35	GY6.35	GY6.35	GY6.35	GY6.35	—	—	—	GY6.35	GY6.35	GY6.35	
Strobe energy	—	—	—	—	—	—	31 J	15 J	7 J	—	—	—	
Xenon strobe tube	—	—	—	—	—	—	Helical	Helical	Helical	—	—	—	
Strobe tube socket	—	—	—	—	—	—	Terminals	Terminals	Terminals	—	—	—	
Flashing/Strobe frequency	—	—	—	1 Hz	1 Hz	1 Hz	1 Hz	1 Hz	1 Hz	—	—	—	
Rotating speed - selectable via jumper wire	—	—	—	—	—	—	—	—	—	90/180 rpm	90/180 rpm	90/180 rpm	
Nominal Current	12V AC/DC	4 A	2.9 A	1.6 A	4.2 A	3 A	1.6 A	—	—	—	4.2 A	3.2 A	1.8 A
	24V AC/DC	2.1 A	1.5 A	0.8 A	2.1 A	1.5 A	0.8 A	1.9 A	1.3 A	0.48 A	2.3 A	1.7 A	0.95 A
	110/120V AC 50/60 Hz	0.42 A	0.29 A	0.2 A	0.42 A	0.3 A	0.2 A	0.7 A	0.32 A	0.21 A	0.58 A	0.32 A	0.30 A
	230/240V AC 50 Hz	0.21 A	0.15 A	0.09 A	0.21 A	0.15 A	0.09 A	0.35 A	0.15 A	0.12 A	0.39 A	0.17 A	0.27 A
Weight (Surface Mount)	900 g	500 g	251 g	900 g	500 g	251 g	900 g	500 g	296 g	900 g	500 g	378 g	
Weight (Tube Mount)	900 g	500 g	424 g	900 g	500 g	424 g	900 g	500 g	469 g	900 g	500 g	551 g	

Electrical and Mechanical			
	Single-Color LED	Three-Color LED	Strobe LED
	90 mm		
24V AC/DC	—	155 mA	—
110/120V AC 50/60 Hz	—	100 mA	70 mA
230/240V AC 50 Hz	—	105 mA	70 mA
24/48V AC/DC 50/60 Hz	230...270 mA (16...60V AC/16...80V DC)	—	300 mA (19...52V AC/16...60V DC)
120/240V AC	38...43 mA (90...250V AC)	—	—
Weight (Surface Mount)	250 g		
Weight (Tube Mount)	450 g		

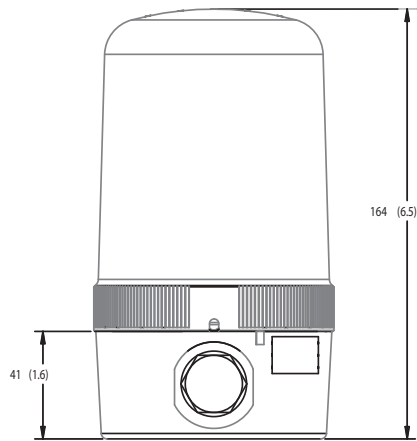


Dimensions in millimeters (inches). Dimensions are not intended to be used for manufacturing purposes.

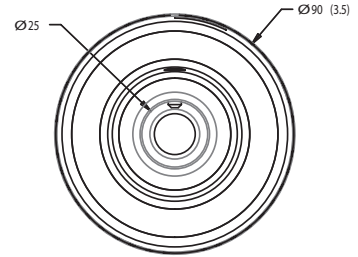
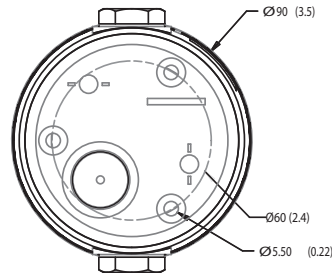
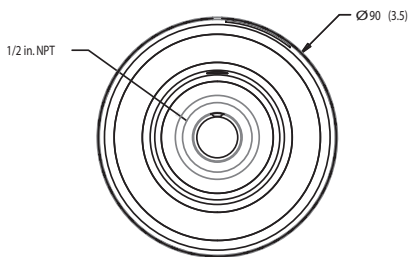
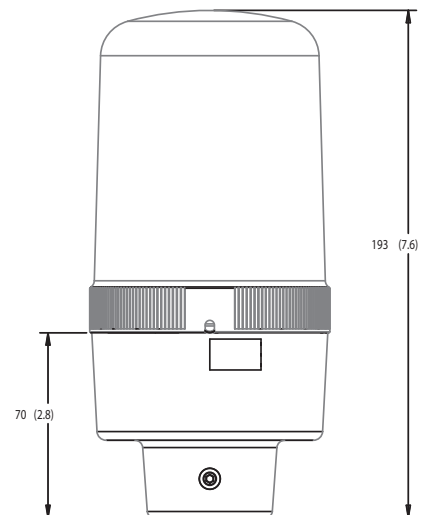
90 mm Beacon NPT Conduit Mount



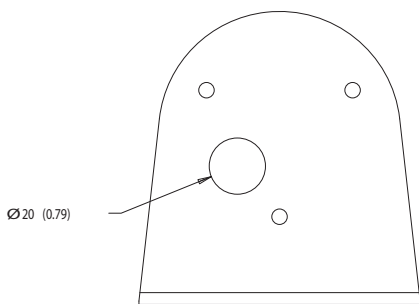
90 mm Beacon Surface Mount



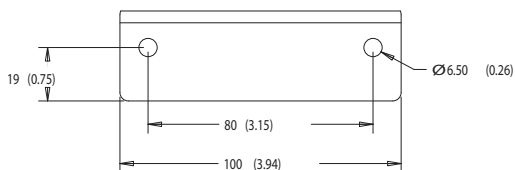
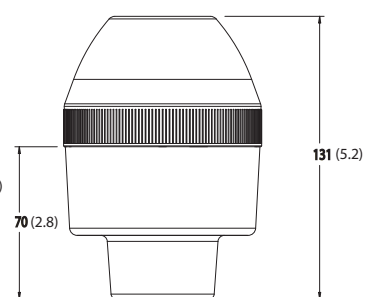
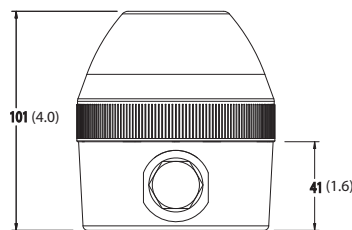
90 mm Beacon Tube Mount



90 mm Beacon Vertical Bracket



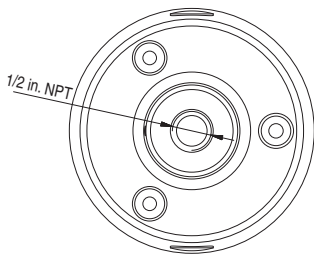
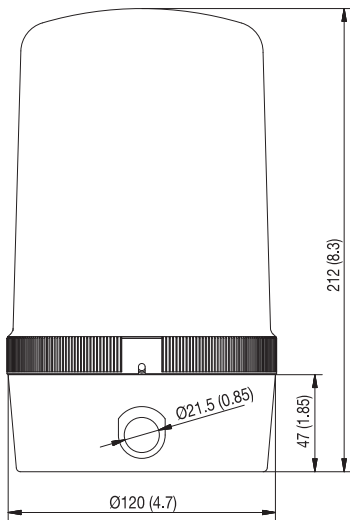
90 mm LED Beacon



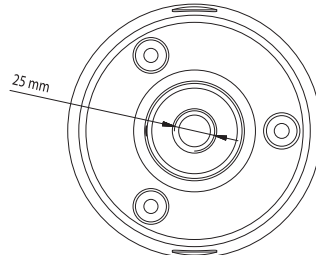
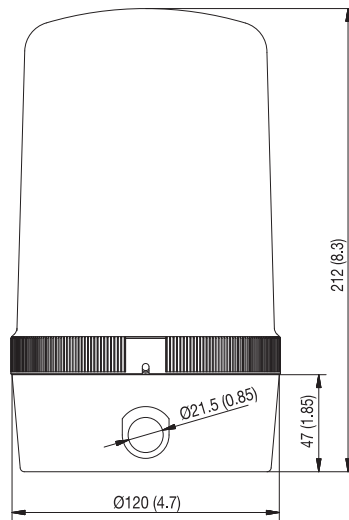
Bulletin 855BS/855BM/855BL
Round Beacons
 Approximate Dimensions

Dimensions in millimeters (inches). Dimensions are not intended to be used for manufacturing purposes.

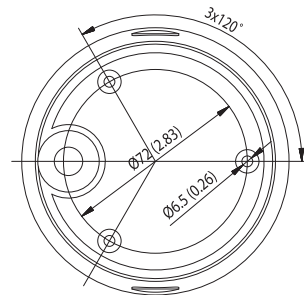
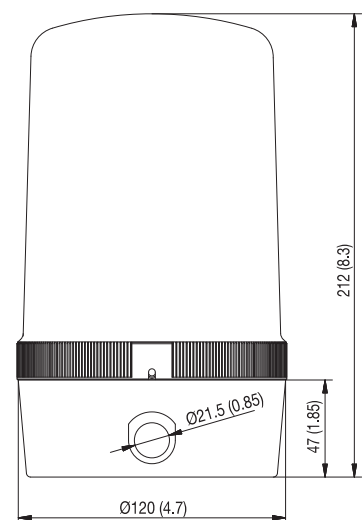
120 mm Beacon NPT Conduit Mount



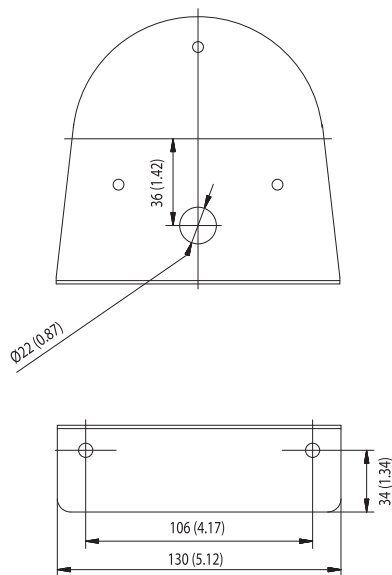
120 mm Beacon Tube Mount



120 mm Beacon Surface Mount

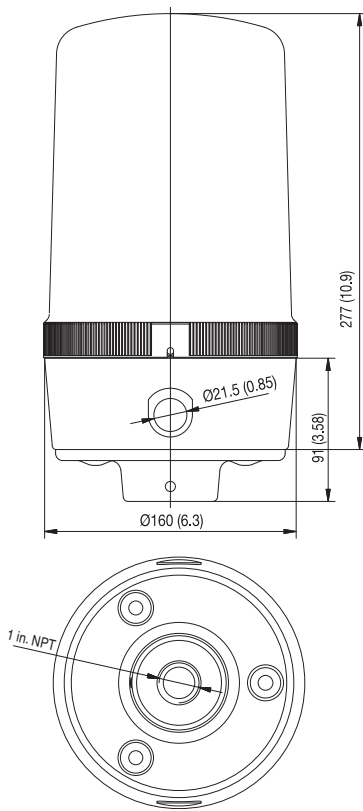


120 mm Beacon Vertical Bracket

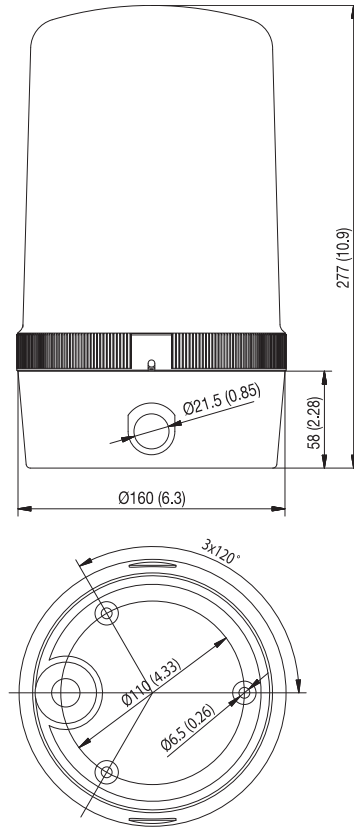


Dimensions in millimeters (inches). Dimensions are not intended to be used for manufacturing purposes.

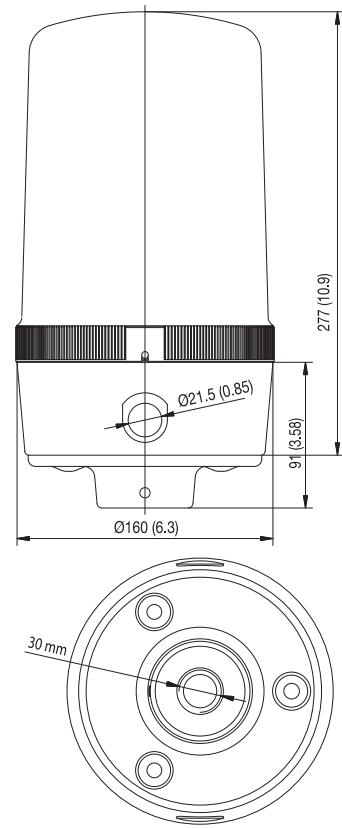
160 mm Beacon NPT Mount



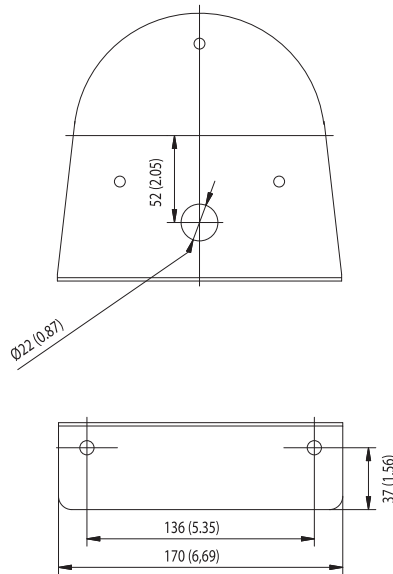
160 mm Beacon Surface Mount







160 mm Beacon Tube Mount



160 mm Beacon Vertical Bracket



Bulletin 855W, 855D, 855F, 855E, 855T
Signal and Control Tower™ Lights
 Product Overview

				
Bulletin	855D	855E	855T	855W
Type	Compact Control Tower™ Lights — 30 mm	Control Tower™ Lights — 50 mm	Control Tower™ Lights — 70 mm	Wall Mount Signal Lights
Environmental Ratings	UL Type 4/4X/13, IP65 Indoor and outdoor use	UL Type 4/4X/13, IP65 on all bases, lights and caps sound modules Indoor and outdoor use	UL Type 4/4X/13, IP65 on all bases, lights piezo style sound and caps (sound and light with sound combo modules are IP54) Indoor and outdoor use	UL Type 4/4X/13, IP65 Indoor and outdoor use
Ease of Assembly, Base Wiring and Lamp Changes	No assembly required - all towers are assembled, wired, and tested at the factory	No-tools assembly and maintenance, "Twist-off" lenses for easy lamp changes, top-mounted terminal block for easy base wiring	No-tools assembly and maintenance, "Twist-off" lenses for easy lamp changes, top-mounted terminal block for easy base wiring	No assembly required - all towers are assembled and tested at the factory
Illumination Types	LED	Incandescent, socket-mount LED, or strobe	Incandescent, socket-mount LED, or strobe	LED
Lens Colors	Green, red, amber, blue, yellow, clear	Green, red, amber, blue, yellow, clear	Green, red, amber, blue, yellow, clear	Green, red, amber, blue, yellow, clear
Pole-Mount Base Options	Surface, 10 cm metric tube, and 25 cm metric tube	10, 25, 40, 60, and 80 cm bases	10, 25, 40, 60, and 80 cm – aluminium or stainless steel bases	—
Other Base Mounting Options	Vertical bracket, conduit adapter, and quick-release base	Surface-mount bases (surface-mount bases also feature 1/2 NPT, PG16, and M20 threading options), vertical-mount bases, and quick-release bases	Surface-mount bases (surface-mount bases also feature 1/2 NPT, PG16, and M20 threading options) vertical-mount bases, and quick-release bases	Can be mounted in any orientation
Housing Colors	Black or grey base housing	Black or grey base housing	Black or grey base housing	Grey or chrome cover housing
Sound Options	Piezo-style sound modules in single and two tone	Piezo-style sound modules in single and two tone	Transducer-style or Piezo-style sound modules available in single or two tone (sound modules are UL Type 12, IP54), Piezo styles and modules also available in 4/4X	Piezo-style sound module (continuous or pulsing)
Connectivity	Standard connectivity	Standard connectivity	Standard or DeviceNet connectivity	Standard connectivity
Voltage Options	Bases available in: 24V AC/DC, 120V AC, 240V AC as standard offerings	All modules available in: 12V AC/DC, 24V AC/DC, 120V AC, 240V AC as standard offerings	All modules available in: 12V AC/DC, 24V AC/DC, 120V AC, 240V AC as standard offerings	Base plate available in: 24V AC/DC, 120V AC, 240V AC as standard offerings
Pole Connection Box	—	Surface, vertical, and magnetic mount	Surface, vertical, and magnetic mount	—
Standards	cULus Listed, CE	cULus Listed and CE on all components	cULus Listed and CE on all components	cULus Listed, CE
Operating Temperature	-25...+50 °C (-13...+122 °F)	-25...+50 °C (-13...+122 °F)	-25...+70 °C (-13...+158 °F)	-25...+50 °C (-13...+122 °F)
Material	Polycarbonate - bases, cap, lens cover, sound module housing, lens, & lamp socket	Polycarbonate (no sound module) - bases, cap, lens cover, lens, & lamp socket	Polycarbonate - bases, cap, lens cover, sound module housing, lens, & lamp socket	Polycarbonate - base and lenses ABS - cover
Product Selection	Page 11-35	Page 11-39	Page 11-45	Page 11-61

30 mm Compact Control Tower™ Stack Lights

Product Selection



Bulletin 855D — 30 mm Compact Control Tower™ Lights

- UL Type 4/4X/13, IP65
- Steady and flashing LED light modules
- Continuous or pulsing piezo sound modules
- Mounting options include: surface mount, pole with foot, metric tube, and direct mount

Table of Contents

Product Selection this page

Accessories..... 11-36

Specifications..... 11-37

Approximate Dimensions..... 11-38

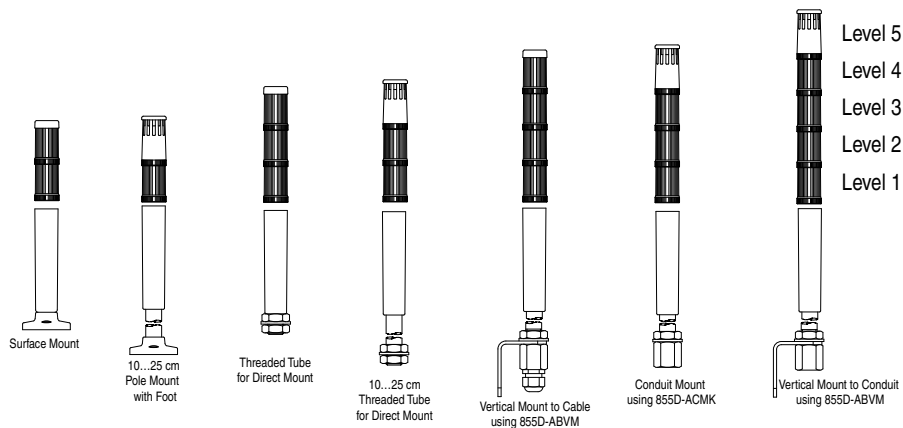
Standards Compliance

UL 508
 CSA C22.2 No. 14
 EN/IEC 60947-1
 EN/IEC 60947-5-1

Certifications

cULus Listed (File No. E14840, Guides NKCR, NKCR7)

Pre-Assembled and Pre-wired Tower Lights, One to Five Modules



855D – P00 SC20 B 24 Y 3 Y 4 Y 5 L 7 P 1

a b c d e f g f g f g f g f g

(Level 1, f+g) (Level 2, f+g) (Level 3, f+g) (Level 4, f+g) (Level 5, f+g)

a

Base Type	
Code	Description
P00	Surface mount
P10	10 cm aluminum pole mount with foot
P25	25 cm aluminum pole mount with foot
T00	0 cm M20 metric threaded tube for direct mount
T10	10 cm M20 metric threaded tube for direct mount
T25	25 cm M20 metric threaded tube for direct mount
Q10	10 cm quick release mount pole
Q25	25 cm quick release mount pole

b

Network Option	
Code	Description
Blank	No network option

c

Cable Connector and Length	
Code	Description
SC20	Stranded cable, 2 m, yellow jacket
Blank	No cable (only for Q10 or Q25 base types)

d

Housing Color	
Code	Description
B	Black
G	Grey

e

Voltage	
Code	Description
24	24V AC/DC
10	120V AC
20	240V AC

f

Module Type ‡§	
Code	Description
Y	Steady LED
L	Flashing LED
C	Piezo sound alarm, continuous tone
P	Piezo sound alarm, pulsing tone
Q	Dual-circuit Piezo sound alarm †

g

Lens Color/Sound	
Code	Description
1	Sound module
3	Green
4	Red
5	Amber
6	Blue
7	Clear
8	Yellow

‡ Sound module types (C, P, Q) must be on the top-most level, they must be configured with Lens Color/Sound Code 1, and only one sound module is allowed per assembly.

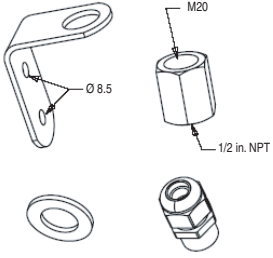
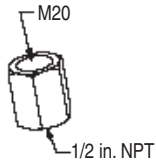
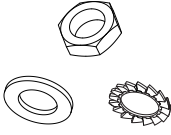





§ Light module types (Y, L) can only be configured with Lens Color/Sound Codes 3, 4, 5, 6, 7, or 8.

† If the dual circuit sound module (Q) is selected, the maximum number of light modules allowed is three (two circuits are required for the dual circuit sound module).

> The SC20 cable must be ordered for all bases, except the Q10 and Q25 bases.

30 mm Compact Control Tower™ Stack Lights

Accessories

	Description		Cat. No.
	Gaskets Vertical Mount Kit includes the following: <ul style="list-style-type: none"> • L-bracket • thread adapter • black cable gland (1/2 in. NPT) • plastic washer 		855D-ABVM
	Conduit Mount Kit M20 to 1/2 in. NPT thread adapter		855D-ACMK
	Direct Mount Kit includes the following: <ul style="list-style-type: none"> • M20 nut • plastic washer • metal lock washer 		855D-ARDM
	Base Foot Gasket (Bag of 5)		855D-APFG
	Mounting Screw Washer Kit Replacement flat washers are used to provide a seal where the mounting screw meets the pole base. (1 kit includes 20 pieces)		855T-AMSG
	Field-installable 4-pin DC Micro style terminal chamber. For additional chamber style terminals see the On-Machine Connectivity Catalog.		871A-TS4-DM
	Description	Color	Cat. No.
	Locking ring for quick release base	Black	855D-ABQLR
	Locking ring for quick release base	Grey	855D-AGQLR
	Gasket for quick release base (order quantity of 1 and receive bag of 5 gaskets)		855D-AQG
	Mounting base with gasket		855D-AQMB

Bulletin 855D
30 mm Compact Control Tower™ Stack Lights
 Specifications

Specifications

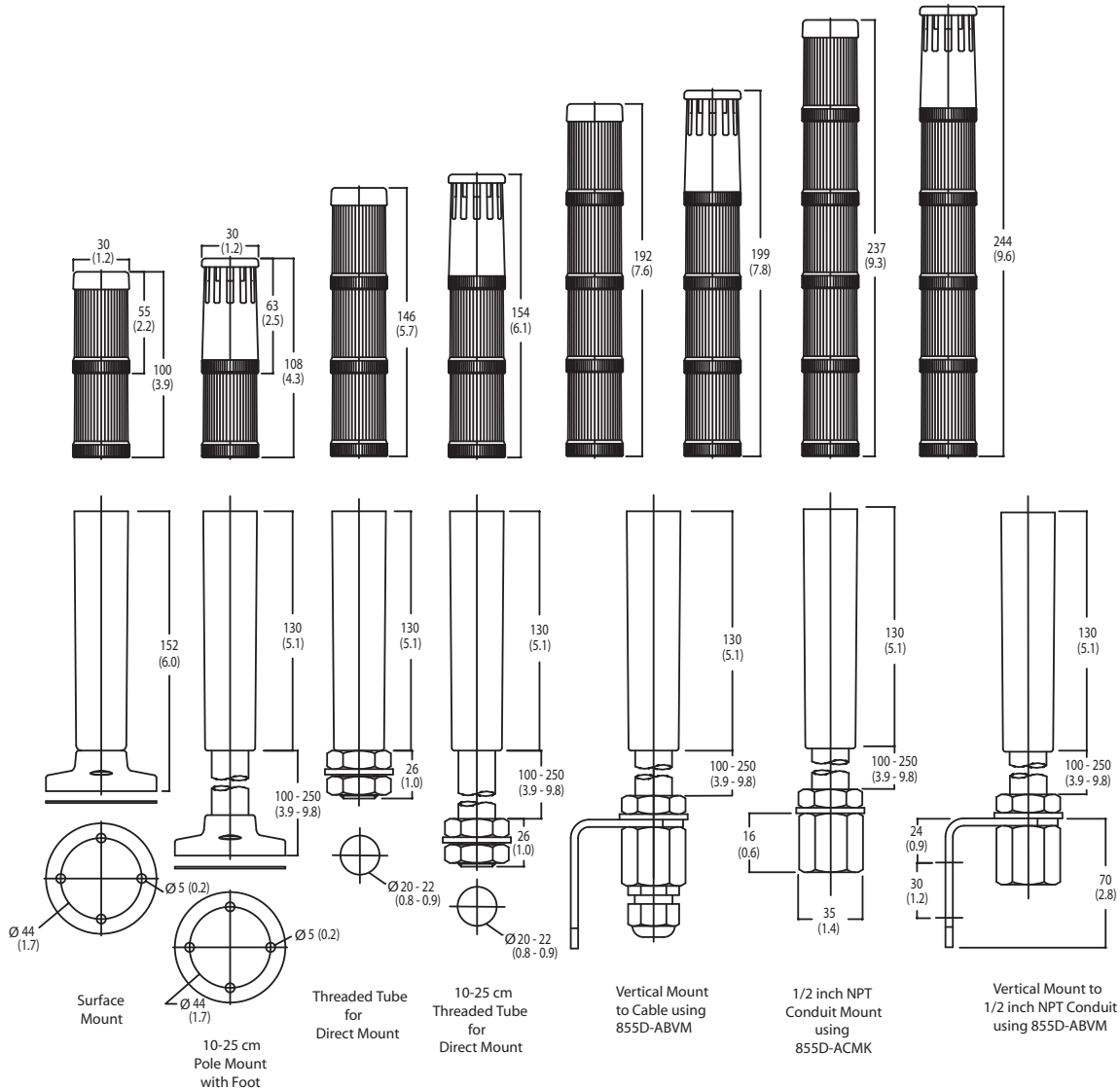
Mechanical Ratings			
Shock and Vibration		Based on the weight and style of mounting; tower lights are subject to damage from shock and vibration. Listed below are reference guidelines for maximum acceptable conditions.	
		1 Module Stack	3 Module Stack
Standard Bases	Surface Mount Base or 10/25 cm Aluminum Pole Base	150 G Shock 2.5 G Vibration	45 G Shock 2.5 G Vibration
			5 Module Stack
			35 G Shock 2.0 G Vibration
Environmental Ratings			
Ingress Ratings	Light Modules	IP65/UL Type 4/4X/13	
	Sound Modules	IP65/UL Type 4/4X/13	
	Surface, Pole, Vertical, Tube Mount Bases	IP65/UL Type 4/4X/13	
Temperature Ratings — All Products	Operating Temperature	-25...+50 °C (-13...+122 °F)	
	Storage Temperature	-25...+85 °C (-13...+185 °F)	
Materials			
Bases, Caps, Lens Covers, Sound Module Housings		Polycarbonate	
Rubber Seals and Gaskets		Nitrile Rubber	
Pole (for aluminum pole assembly)		Aluminum	
Pole Base Footing (for aluminum pole base)		Polycarbonate	
Insulation Sleeve (for pole insulation)		PVC	
Mounting Screw Washers		Polyamide	
Performance Ratings			
Estimated Light Output ‡	Steady, Flashing, Red	1000 mcd	
	Steady, Flashing, Amber	800 mcd	
	Steady, Flashing, Green	1500 mcd	
	Steady, Flashing, Yellow	700 mcd	
	Steady, Flashing, Blue	250 mcd	
	Steady, Flashing, White	1000 mcd	
Operating Voltage			
Description		24V AC/DC	120V AC
Light Modules		24V AC/DC (± 10%)	110V AC 50 Hz (± 10%)
Sound Modules			120V AC 60 Hz (± 10%)
			240V AC
			230V AC 50 Hz (± 10%) 240V AC 60 Hz (± 10%)
Lamp Life Ratings (Design Life) Average Life Under Static, No Vibration, Conditions			
Description		24V AC/DC	120V AC
LED Modules		100 000 hrs	
Sound Modules		20 000 hrs	
‡ Light Output values are calculated from the LED datasheet and show typical values of luminous density. These values are not exact because the knurling in the lens affects the light distribution and because the viewing angle of the LED which directly relates to the Cd output value, is not identical for all LEDs.			
Current Consumption			
Description		24V AC/DC	120V AC
Light Modules	Steady or Flashing LED	20 mA	22 mA
Piezo Style Sound Modules	Single and Dual Circuit	40 mA	22 mA
			240V AC
			21 mA
			21 mA
Flashing Frequency (Light Only Modules)			
Flashing LED Modules		Flashing frequency approximately 2 Hz	
dB Rating (Sound Modules)			
All dB(A) ratings determined at a distance of 1 meter from sound module			
Piezo Sound Module		85 dB(A) (+2 dB/-5 dB)	
Leakage Current Impact			
All light and sound modules are capable of absorbing up to 3 mA of leakage current from solid-state outputs without module activation.			

30 mm Compact Control Tower™ Stack Lights

Approximate Dimensions

Dimensions in millimeters (inches). Dimensions are not intended to be used for manufacturing purposes.

Pre-assembled Tower Lights



50 mm Control Tower™ Stack Lights

Product Overview/Product Selection



Bulletin 855E 50 mm Control Tower™ Lights

- UL Type 4/4X/13, IP65
- Stacking configurations 1...5 modules high
- "No Tools" lens assembly
- Surface, vertical, quick release, or pole mounting
- Top-mounted terminal blocks on all bases

Standards Compliance
 UL 508
 CSA C22.2 No. 14
 EN/IEC 60947-1
 EN/IEC 60947-5-1

Certifications
 cULus Listed (File No. E14840,
 Guides NKCR, NKCR7)
 CE Marked

Table of Contents

Light Modules this page

Sound Modules 11-40

Bases 11-41

Pre-Configured Tower Lights 11-42

Accessories 11-53

Specifications 11-43

Approx. Dimensions . . . 11-44

Light Modules

855E – $\frac{10}{a}$ $\frac{FN}{b}$ $\frac{4}{c}$



Flashing Incandescent

a		b		c	
Voltage		Light Module Type		Lens Color	
Code	Description	Code	Description	Code	Description
00	0...250V AC/DC (no-lamp module*)	XN	Steady no lamp*	3	Green
12	12V AC/DC	DN	Steady incandescent	4	Red
24	24V AC/DC	FN	Flashing incandescent	5	Amber
10	120V AC	TL	Steady socket - mount LED	6	Blue
20	240V AC	GL	Flashing socket - mount LED	7	Clear
		BR	Strobe	8	Yellow

* Can only be selected with module type **XN**, voltage code **00**. Accepts socket mount LED and incandescent lamp types.

Voltage	Color	Illumination Type	Cat. No.
0...250V No-Lamp Module	Green	Steady Incandescent/LED	855E-00XN3
	Red		855E-00XN4
24V AC/DC	Green	Steady Incandescent	855E-24DN3
		Flashing Incandescent	855E-24FN3
		Steady LED	855E-24TL3
	Red	Steady Incandescent	855E-24DN4
		Flashing Incandescent	855E-24FN4
		Strobe	855E-24BR4
	Amber	Steady Incandescent	855E-24DN5
		Flashing Incandescent	855E-24FN5
		Steady LED	855E-24TL5
120V AC	Green	Steady Incandescent	855E-10DN3
		Flashing Incandescent	855E-10FN3
		Steady LED	855E-10TL3
	Red	Steady Incandescent	855E-10DN4
		Flashing Incandescent	855E-10FN4
		Strobe	855E-10BR4
	Amber	Steady Incandescent	855E-10DN5
		Flashing Incandescent	855E-10FN5
		Steady LED	855E-10TL5

50 mm Control Tower™ Stack Lights

Product Selection

Sound Modules

Sound modules have continuous and pulsing tones. Maximum sound output is 103 dB @ 1 meter. A reduced volume setting is available by changing the position of the volume dipswitch, producing a sound output of 88 dB @ 1 meter.

855E – $\frac{\mathbf{B}}{a}$ $\frac{10}{b}$ $\frac{\mathbf{TA3}}{c}$



Black Two-Tone Sound Module

a

Housing Color	
Code	Description
B	Black
G	Grey

b

Voltage	
Code	Description
12	12V AC/DC
24	24V AC/DC
10	120V AC
20	240V AC

c

Module Type	
Code	Description
SA3	Single circuit/single tone piezo style (continuous or pulsing tones modified by dip switch)
TA3	Two circuit/two tone piezo style (continuous or pulsing tones modified by energizing one or two circuits of sound module)

Voltage	Housing Color	Module Type	Cat. No.
24V AC/DC	Black	Single Circuit/Single Tone	855E-B24SA3
		Two Circuit/Two Tone	855E-B24TA3
	Grey	Single Circuit/Single Tone	855E-G24SA3
		Two Circuit/Two Tone	855E-G24TA3
120V AC	Black	Single Circuit/Single Tone	855E-B10SA3
		Two Circuit/Two Tone	855E-B10TA3
	Grey	Single Circuit/Single Tone	855E-G10SA3
		Two Circuit/Two Tone	855E-G10TA3

Standard Stack Light Bases
 Bases



855E – B VM C
 a b c

a

Housing Color	
Code	Description
B	Black
G	Grey

b

Base Type	
Code	Description
CB	Surface mount with 1/2 in. NPT threading
RB	Surface mount with M20 metric threading
SB	Surface mount with PG16 threading
TM	25 mm tube mount
VM	Vertical mount
PM10	10 cm aluminum pole mount base
PM25	25 cm aluminum pole mount base
PM40	40 cm aluminum pole mount base
PM60	60 cm aluminum pole mount base
PM80	80 cm aluminum pole mount base
MM10	10 cm quick release base
MM25	25 cm quick release base
MM40	40 cm quick release base

c

Cap Option†	
Code	Description
Blank	No cap
C	Cap included

† Quick-release bases always include a cap.

Housing Color	Base Type	With Cap Option	Without Cap Option
		Cat. No.	Cat. No.
Black	Surface Mount — 1/2 NPT Thread	855E-BCBC	855E-BCB
	Surface Mount — PG16 Thread	855E-BSBC	855E-BSB
	Surface Mount — M20 Thread	855E-BRBC	855E-BRB
	Vertical Mount	855E-BVMC	855E-BVM
	25 mm Diameter Tube Mount	855E-BTMC	855E-BTM
	10 cm Aluminum Pole Mount	855E-BPM10C	855E-BPM10
	25 cm Aluminum Pole Mount	855E-BPM25C	855E-BPM25
	40 cm Aluminum Pole Mount	855E-BPM40C	855E-BPM40
	60 cm Aluminum Pole Mount	855E-BPM60C	855E-BPM60
	80 cm Aluminum Pole Mount	855E-BPM80C	855E-BPM80
	10 cm Pole, Quick-Release Base	855E-BMM10C	—
	25 cm Pole, Quick-Release Base	855E-BMM25C	—
	40 cm Pole, Quick-Release Base	855E-BMM40C	—

Bulletin 855E
50 mm Control Tower™ Stack Lights
 Specifications

Mechanical Ratings				
Shock and Vibration		Based on the weight and style of mounting; tower lights are subject to damage from shock and vibration. Listed below are reference guidelines for maximum acceptable conditions.		
Standard Bases	Surface Mount Base or 10 cm Aluminum Pole Base	1 Module Stack 150 G Shock 5 G Vibration	3 Module Stack 45 G Shock 1.5 G Vibration	5 Module Stack 35 G Shock 0.75 G Vibration
	Vertical Base or 25 cm Aluminum Pole Base	95 G Shock 3.5 G Vibration	30 G Shock 1.25 G Vibration	20 G Shock 0.5 G Vibration
Recommended Wire Sizes		0.5...1.5 mm ² (22...16 AWG)		
Recommended Terminal Torque		0.87 N•m (7 lb•in)		

Environmental Ratings		
Ingress Ratings	Light Modules with Cap	UL Type 4/4X/13, IP65
	Sound Modules	UL Type 4/4X/13, IP65
	Surface, Vertical, Tube Mount Bases	UL Type 4/4X/13, IP65
	Pole Mount Bases	UL Type 4/4X/13, IP65
Temperature Ratings — All Products	Operating Temperature	-25...+50 °C (-13...+122 °F)
	Storage Temperature	-40...+85 °C (-40...+185 °F)

Materials	
Bases, Caps, Lens Covers, Sound Module Housings, Lenses	Polycarbonate
Lamp Socket	Polycarbonate
Rubber Seals and Gaskets	Nitrile Rubber
Pole (for aluminum pole assembly)	Aluminum
Pole Base Footing (for aluminum pole base)	Polycarbonate
Insulation Sleeve (for pole insulation)	Polyolefin
Mounting Screw Washers	Polypropylene

Performance Ratings					
Description		12V AC/DC	24V AC/DC	120V AC	240V AC
Light Output	Steady Incandescent	0.5 MSCP 6.3 Lumens	2.5 MSCP 31.4 Lumens	3.0 MSCP 37.7 Lumens	0.49 MSCP 6.2 Lumens
	Flashing Incandescent	0.5 MSCP 6.3 Lumens	2.5 MSCP 31.4 Lumens	3.0 MSCP 37.7 Lumens	0.49 MSCP 6.2 Lumens
	Strobe	1 Joule per lamp			
	Steady, Flashing Socket Mount LED Red	900...2240 mcd			
	Steady, Flashing Socket Mount LED Green	900...1800 mcd			
	Steady, Flashing Socket Mount LED Amber	1400...3550 mcd			
	Steady, Flashing Socket Mount LED Blue	224...560 mcd			
	Steady, Flashing Socket Mount LED White and Yellow	900...1800 mcd			

Operating Voltage					
Description		12V AC/DC	24V AC/DC	120V AC	240V AC
Light Modules and Sound Modules		12V AC/DC (± 10%)	24V AC/DC (± 10%)	110V AC 50Hz (± 10%) 120V AC 60Hz (± 10%)	230V AC 50 Hz (± 10%) 240V AC 60 Hz (± 10%)

Lamp Life Ratings (Design Life) Average Life Under Static, No Vibration, Conditions					
Description		12V AC/DC	24V AC/DC	120V AC	240V AC
Incandescent Modules*‡		8 000 hrs	7 000 hrs	3 000 hrs	1 600 hrs
LED Modules		100 000 hrs			
Strobe Modules		15 000 hrs			
Sound Modules		20 000 hrs			

* First failures at about 35% of average life. Severe vibration may reduce life to 44% of average life.
 ‡ Flashing applications may reduce life to 50% of average life.

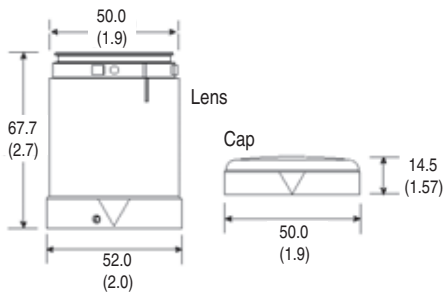
50 mm Control Tower™ Stack Lights

Specifications/Approximate Dimensions

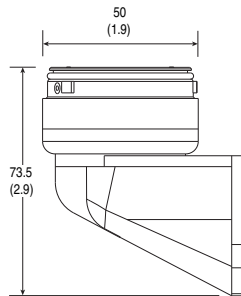
Current Consumption					
Description		12V AC/DC	24V AC/DC	120V AC	240V AC
Light Only Modules	Steady Incandescent	208 mA	271 mA	58 mA	23 mA
	Flashing Incandescent	208 mA	271 mA	58 mA	23 mA
	Steady or Flashing LED	42 mA	29 mA	21 mA	20 mA
	Strobe	95 mA	60 mA	55 mA	30 mA
Sound Modules	Single-Tone Sound Module	12 mA	25 mA	33 mA	33 mA
	Two-Tone Sound Module				
Flashing Frequency (Light Only Modules)					
Flashing Incandescent Modules		12V module approximately 1.5 Hz 24V, 120V, and 240V modules approximately 2 Hz Time ON/Time OFF = 1:1			
Flashing LED Modules		Flashing frequency approximately 1.5 Hz Time On/Time OFF = 1:1			
Strobe Modules		Flashing frequency approximately 2 Hz (flash duration 1/50,000 second)			
Flashing and Tone frequency (Light Modules/with Sound Set at Continuous Tone)					
Tone Frequency		Tone frequency is preset at 2800 Hz			
Flashing and Tone Pulsing Frequencies (Light Modules/with Sound Set at Pulsing Tone)					
Tone Frequency		Tone Frequency is preset at 2800 Hz			
dB Rating (Sound Modules)					
All dB(A) ratings determined at a distance of 1 meter from sound module					
Single Tone Sound Module (SA3)		Maximum volume ranges from 88 or 103 dB(A) (volume adjustable by dipswitch)			
Two Tone Sound Module (TA3)					
Leakage Current Impact					
All light modules and sound modules are capable of absorbing up to 3 mA of leakage from solid-state outputs without module activation					

Approximate Dimensions

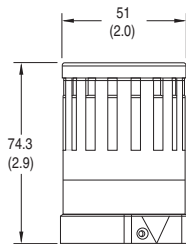
Dimensions in millimeters (inches). Dimensions are not intended to be used for manufacturing purposes.



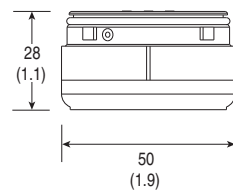
Light Modules



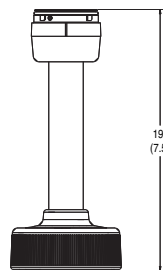
Vertical Mount Base



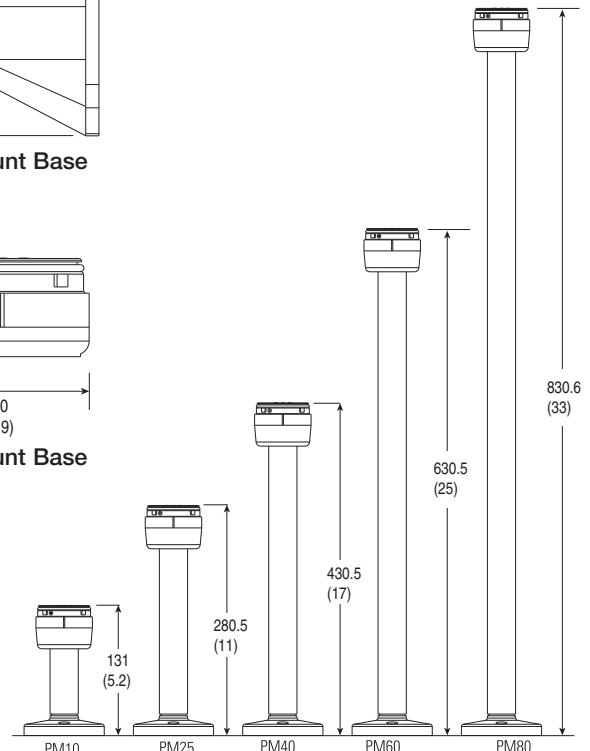
Sound Module



Surface Mount Base



Quick Release Base



Pole Mount Bases

70 mm Control Tower™ Stack Lights

Product Selection

Single-Circuit Combined Light Module with Piezo Sounder*

All modules contain a selected light option with a sound device that operates simultaneously. The Piezo-style sound module can be switched to pulsing or continuous sound with a DIP switch. Additionally, the volume can be adjusted to either low: 92 dB(A) or high: 107 dB(A), via a DIP switch. UL Type 4/4X/13, IP65.

Two-Circuit Combined Light Module with Piezo Sounder†

All modules contain two circuits enabling separate operation of light or sound. The Piezo style sounder can be switched to pulsing or continuous, with a DIP switch. Additionally, the volume can be adjusted to either low: 92 dB(A) or high: 107 dB(A), via a DIP switch. UL Type 4/4X/13, IP65.

855T – B 10 DC 3
 a b c d



Combination Module

a

Housing Color	
Code	Description
B	Black
G	Grey

b

Voltage	
Code	Description
12	12V AC/DC
24	24V AC/DC
10	120V AC
20	240V AC

c

Combined Module Type	
Code	Description
DC	Steady incandescent with sound
DD	Two-circuit steady incandescent with sound
FC	Flashing incandescent with sound
TC	Steady LED with sound
GC	Flashing LED with sound
BC	Strobe with sound

d

Lens Color	
Code	Description
3	Green
4	Red
5	Amber
6	Blue
7	Clear
8	Yellow

Voltage	Illumination Type	Lamp Color	Black Housing Color	Grey Housing Color
			Cat. No.*	Cat. No.*
24V AC/DC	Steady Incandescent	Green	855T-B24DC3	855T-G24DC3
			855T-B24TC3	855T-G24TC3
	Steady Incandescent	Red	855T-B24DC4	855T-G24DC4
			855T-B24BC4	855T-G24BC4
	Steady Incandescent	Amber	855T-B24DC5	855T-G24DC5
			855T-B24TC5	855T-G24TC5
120V AC	Steady Incandescent	Green	855T-B10DC3	855T-G10DC3
			855T-B10TC3	855T-G10TC3
	Steady Incandescent	Red	855T-B10DC4	855T-G10DC4
			855T-B10BC4	855T-G10BC4
	Steady Incandescent	Amber	855T-B10DC5	855T-G10DC5
			855T-B10TC5	855T-G10TC5
24V AC/DC	Steady Incandescent	Green	855T-B24DD3	855T-G24DD3
		Red	855T-B24DD4	855T-G24DD4
		Amber	855T-B24DD5	855T-G24DD5
		Green	855T-B10DD3	855T-G10DD3
		Red	855T-B10DD4	855T-G10DD4
		Amber	855T-B10DD5	855T-G10DD5

* The single-circuit combined light/with sound module uses one circuit in a stack. It can be used with a maximum of four light modules and must be placed in the top position of a stack.

* Refer to configurator options for additional selections.

† The two-circuit combined light/with sound module uses two circuits in a stack. It can be used with a maximum of three light modules and must be placed in the top position of a stack.



Transducer-Style Sound Modules

- UL Type 12, IP54
- Adjustable volume @ from 85...103 dB @ 1 meter
- Up to 15 tones
- Adjustable frequency and speed tone



Sound Module

855T –
 a b c

a

Housing Color	
Code	Description
B	Black
G	Grey

b

Voltage	
Code	Description
12	12V AC/DC
24	24V AC/DC
10	120V AC
20	240V AC

c

Module Type	
Code	Description
SA1	Single-tone sound module with 13 different tones*
TA1	Dual-tone sound module with 15 sets of dual-tone combinations*

Voltage	Module Type	Tone	Black Housing Color	Grey Housing Color
			Cat. No.‡	Cat. No.‡
24V AC/DC	Single Tone Transducer Style	Preset as Triangle Tone	855T-B24SA1	855T-G24SA1
	Dual Tone Transducer Style	Preset as Triangle Tone/Continuous Tone	855T-B24TA1	855T-G24TA1
120V AC	Single Tone Transducer Style	Preset as Triangle Tone	855T-B10SA1	855T-G10SA1
	Dual Tone Transducer Style	Preset as Triangle Tone/Continuous Tone	855T-B10TA1	855T-G10TA1

* This module uses one circuit in a stack. It can be used with maximum of any four light modules and must be placed on top of stack.
 * This module uses two circuits in a stack. It can be used with a maximum of any three light modules and must be placed on top of stack.
 ‡ Refer to configurator options for additional selections.

Piezo-Style Sound Modules

- Single or dual circuit versions
- High/low volume selectable via DIP switch

855T –
 a b c

a

Housing Color	
Code	Description
B	Black
G	Grey

b

Voltage	
Code	Description
12	12V AC/DC
24	24V AC/DC
10	120V AC
20	240V AC

c

Module Type	
Code	Description
SA2	<ul style="list-style-type: none"> • Single-tone/single-circuit piezo-style module with continuous or pulsing tones modified by a DIP switch • Type 12 • Volume 97 or 85 dB @ 1 m
TA2	<ul style="list-style-type: none"> • Dual-tone/dual-circuit piezo-style module with continuous or pulsing tone modified by energizing one or two circuits of sound modules • Type 12 • Volume 97 or 85 dB @ 1 m
SA3	<ul style="list-style-type: none"> • Single-circuit piezo-style module with continuous or pulsing tones modified by a DIP switch • Type 4/4X/13 • Volume 107 or 92 dB @ 1 m
TA3	<ul style="list-style-type: none"> • Dual-circuit piezo-style module with continuous or pulsing tone modified by energizing one or two circuits of sound modules • Type 4/4X/13 • Volume 107 or 92 dB @ 1 m

70 mm Control Tower™ Stack Lights

Product Selection

Voltage	Module Type	Tone Pattern	Black Housing Color	Grey Housing Color
			Cat. No.*	Cat. No.*
24V AC/DC	Dual Circuit Piezo Sounder (Type 4/4X/13, IP65)	Pulsing or Continuous Tone	855T-B24TA3	855T-G24SA3
	Single Circuit Piezo Sounder (UL Type 4/4X/13, IP65)		855T-B24SA3	855T-G24SA3
120V AC	Dual Circuit Piezo Sounder (Type 4/4X/13, IP65)	Pulsing or Continuous Tone	855T-B10TA3	855T-G10TA3
	Single Circuit Piezo Sounder (UL Type 4/4X/13, IP65)		855T-B10SA3	855T-G10SA3

* Refer to configurator options for additional selections.

Standard and DeviceNet Stack Light Bases



Surface-Mount Base with Cap



Vertical-Mount Base with Cap



10 cm Aluminum Pole-Mount Base



25 cm Quick Release Base



40 cm Powder-Coated Stainless Steel Pole-Mount Base



80 cm Powder-Coated Stainless Steel Pole-Mount Base with Cap



Surface-Mount, Conduit-Mount Base with Stranded Wire Cable



10 cm Pole-Mount Base with Micro-Connect Cable and Cap



Vertical-Mount Base with Micro-Connect Cable and Cap

855T – DL1 B PM10 C
 a *b* *c* *d*

a

Network Connection Type	
Code	Description
Blank	No network connection
DM1	DeviceNet micro-connect with 1 m cable*
DS2	DeviceNet stranded wire connect with 2 m cable*
DL1	DeviceNet mini-connect with 1 m cable*

b

Housing Color	
Code	Description
B	Black
G	Grey

c

Base Type	
Code	Description
CB	Surface mount — 1/2 in. NPT conduit mount
SB	Surface mount — PG16 conduit mount
RB	Surface mount — M20 x 1.5 conduit mount
VM	Vertical mount
TM	25 mm diameter tube mount
PM10	10 cm aluminum pole mount
PM25	25 cm aluminum pole mount
PM40	40 cm aluminum pole mount
SPM10	10 cm stainless steel pole mount*
SPM25	25 cm stainless steel pole mount*
SPM40	40 cm stainless steel pole mount*
SPM60	60 cm stainless steel pole mount*
SPM80	80 cm stainless steel pole mount*
MM10	10 cm quick release base
MM25	25 cm quick release base
MM40	40 cm quick release base

d

Cap Option	
Code	Description
Blank	No cap
C	Cap included

* DeviceNet bases DL1, DM1, or DS2 can only be used with 24V AC/DC and they are only available with Base Types CB, SB, VM, TM, PM10, or PM25.
 * Stainless Steel tube is powder-coated in black.

Standard Stack Light Bases

Housing Color	Base Type	With Cap Option	Without Cap Option
		Cat. No.*	Cat. No.*
Black	Surface Mount — 1/2 in. NPT Conduit Mount	855T-BCBC	855T-BCB
	Surface Mount — PG16 Conduit Mount	855T-BSBC	855T-BSB
	Surface Mount — M20 x 1.5 Conduit Mount	855T-BRBC	855T-BRB
	Vertical Mount	855T-BVMC	855T-BVM
	10 cm Aluminum Pole Mount	855T-BPM10C	855T-BPM10
	25 cm Aluminum Pole Mount	855T-BPM25C	855T-BPM25
	40 cm Aluminum Pole Mount	855T-BPM40C	855T-BPM40
	25 mm Diameter Tube Mount	855T-BTMC	855T-BTM
	10 cm Stainless Steel Pole Mount	855T-BSPM10C	855T-BSPM10
	25 cm Stainless Steel Pole Mount	855T-BSPM25C	855T-BSPM25
	40 cm Stainless Steel Pole Mount	855T-BSPM40C	855T-BSPM40
	60 cm Stainless Steel Pole Mount	855T-BSPM60C	855T-BSPM60
	80 cm Stainless Steel Pole Mount	855T-BSPM80C	855T-BSPM80
	10 cm Pole, Quick-Release Base‡	855T-BMM10C	—
	25 cm Pole, Quick-Release Base‡	855T-BMM25C	—
40 cm Pole, Quick-Release Base‡	855T-BMM40C	—	

‡ Quick release bases always include a cap.

Bulletin 855T
70 mm Control Tower™ Stack Lights
 Product Selection

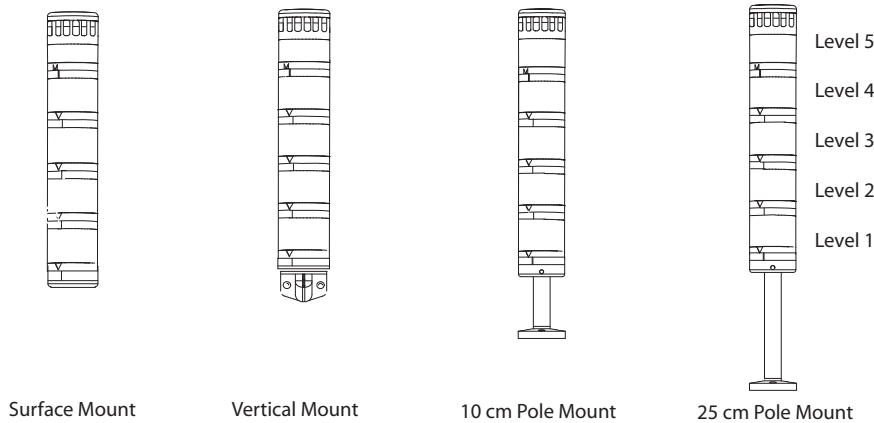
DeviceNet Stack Light Bases

Cable Type	Base Type	Cap Option*	Black Housing Color	Grey Housing Color
			Cat. No.*	Cat. No.*
Micro Connect (approx. 1 m cable length)	Surface Mount — 1/2 in. NPT Conduit Mount	With Cap	855T-DM1BCBC	855T-DM1GCBC
	Surface Mount — PG16 Conduit Mount		855T-DM1BSBC	855T-DM1GSBC
	Vertical Mount		855T-DM1BVMC	855T-DM1GVMC
	10 cm Pole Mount		855T-DM1BPM10C	855T-DM1GPM10C
	25 cm Pole Mount		855T-DM1BPM25C	855T-DM1GPM25C
	25 mm Diameter Tube Mount		855T-DM1BTMC	855T-DM1GTMC
Stranded Wire (approx. 2 m cable length)	Surface Mount — 1/2 in. NPT Conduit Mount		855T-DS2BCBC	855T-DS2GCBC
	Surface Mount — PG16 Conduit Mount		855T-DS2BSBC	855T-DS2GSBC
	Vertical Mount		855T-DS2BVMC	855T-DS2GVMC
	10 cm Pole Mount		855T-DS2BPM10C	855T-DS2GPM10C
	25 cm Pole Mount		855T-DS2BPM25C	855T-DS2GPM25C
	25 mm Diameter Tube Mount		855T-DS2BTMC	855T-DS2GTMC
Mini Connect (approximately 1 m cable length)	Surface Mount — 1/2 in. NPT Conduit Mount		855T-DL1BCBC	855T-DL1GCBC
	Surface Mount — PG16 Conduit Mount		855T-DL1BSBC	855T-DL1GSBC
	Vertical Mount		855T-DL1BVMC	855T-DL1GVMC
	10 cm Pole Mount		855T-DL1BPM10C	855T-DL1GPM10C
	25 cm Pole Mount		855T-DL1BPM25C	855T-DL1GPM25C
	25 mm Diameter Tube Mount		855T-DL1BTMC	855T-DL1GTMC

* See previous page for all configurator options.

* All DeviceNet bases can be purchased without cap. Remove the **C** from the end of the cat. no.

Pre-Configured Control Tower Lights, One to Five Modules



855 TS – DL1 B 24 Y 4 L 5 B 3 F 7 Y 6
a b c d e f e f e f e f e f e f
 (Level 1) (Level 2) (Level 3) (Level 4) (Level 5)
e+f e+f e+f e+f e+f

a

Base Type	
Code	Description
TC	Surface mount 1/2 in. NPT conduit
TS	Surface mount PG16 conduit
TV	Vertical mount
TP	10 cm pole mount
TE	25 cm pole mount
TM	25 mm diameter tube mount

b

Network Options	
Code	Description
Blank	Standard
DL1	DeviceNet mini-connect with 1 m cable*
DM1	DeviceNet micro-connect with 1 m cable*
DS2	DeviceNet stranded wire connect with 2 m cable*

c

Housing Color	
Code	Description
B	Black
G	Grey

d

Voltage	
Code	Description
12	12V AC/DC
24	24V AC/DC
10	120V AC
20	240V AC

e

Module Type	
Code	Description
D	Steady incandescent
F	Flashing incandescent
Y	Steady LED
L	Flashing LED
B	Strobe
T	Steady incandescent with sound*
H	Flashing incandescent with sound*
J	Dual-circuit steady incandescent with sound
E	Steady LED with sound*
G	Flashing LED with sound*
Z	Strobe with sound*
A	Transducer single-circuit sounder UL Type 12, IP54*
W	Transducer dual-circuit sounder UL Type 12, IP54*
P	Single-circuit piezo alarm
Q	Dual-circuit piezo alarm




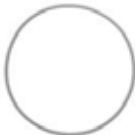


f

Lens Color	
Code	Description
1	Sound module†
3	Green
4	Red
5	Amber
6	Blue
7	Clear
8	Yellow

* DeviceNet bases DL1, DM1, or DS2 can only be used with 24V AC/DC.
 * Only one sound module or light module/with sound can be assembled per stack. These modules must always be placed in the top position.
 † Sound module from Table f can only be selected with single-tone or two-tone module types from Table e.



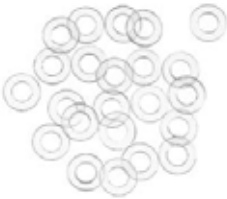








70 mm Control Tower™ Stack Lights

Accessories

		Description	Cat. No.		
 (BA15d Bayonet) — 19 mm socket height	Incandescent Lamps		855T-L12		
	12V AC/DC				
	24V AC/DC		855T-L24		
	120V AC		855T-L10		
	240V AC		855T-L20		
	LED Lamps for Socket-Mounted Modules		Color	Cat. No.	
	12V AC/DC		Red	855E-LL12R	
			Green	855E-LL12G	
			Amber	855E-LL12A	
			Blue	855E-LL12B	
			Yellow	855E-LL12Y	
	24V AC/DC		White*	855E-LL12W	
			Red	855E-LL24R	
			Green	855E-LL24G	
			Amber	855E-LL24A	
			Blue	855E-LL24B	
	120V AC		Yellow	855E-LL24Y	
			White*	855E-LL24W	
			Red	855E-LL10R	
			Green	855E-LL10G	
			Amber	855E-LL10A	
	240V AC		Blue	855E-LL10B	
			Yellow	855E-LL10Y	
			White*	855E-LL10W	
			Red	855E-LL20R	
Green			855E-LL20G		
		Amber	855E-LL20A		
		Blue	855E-LL20B		
		Yellow	855E-LL20Y		
		White*	855E-LL20W		
		Caps (top of stack)		Color	Cat. No.
	The cap is installed to the top of the uppermost light module. No cap is needed if the top module is a sound module, or a light/with sound module.	For Use With 855E Only	Black	855E-ABCAP	
		For Use With 855T Only	Grey	855E-AGCAP	
			Black	855T-ABCAP	
		Grey	855T-AGCAP		
Module Securing Screws (Bag of 5)		For Use With 855E Only	855E-ASC		
	Gaskets				
	Lens O-Ring Seal				
Replacement rubber O-rings are to be installed between all bases, light, sound, and light/with sound modules. (Must order multiples of 5)		For Use With 855E Only	855E-ALSG		
		For Use With 855T Only	855T-ALSG		
	Surface Mount Gasket				
	Replacement flat gasket is to be placed between the mounting surface and the surface mount base. (Must order multiples of 5)		For Use With 855E Only SB, RB, & CB Bases	855E-ASFG	
		For Use With 855T Only BSB & BCB Bases	855T-ASFG		
	Pole Foot Gasket				
Replacement flat gasket is to be placed between the mounting surface and the pole base bottom foot. (Must order multiples of 5.)				855T-APFG	
To be used with Cat. No. 855T-BPM10, 855T-BPM25, and 855T-BPM40 pole bases.					

* White LED lamps are to be used with a lens option of Clear.



	Description	Cat. No.
	Gaskets Vertical Mount Gasket Replacement flat gasket is to be placed between the mounting surface and the vertical mount base. (Must order multiples of 5)	855T-AVFG
	Tube Mount Gasket Replacement O-ring gasket is to be placed in the tube mount pole opening before the tube is installed (BTM- and GTM-type bases). (Must order multiples of 5)	855T-AVTG
	Mounting Screw Washer Kit Replacement flat washers are used to provide a seal where the mounting screw meets the pole base. (1 kit includes 20 pieces) (Package quantity = 20)	855T-AMSG
	Pole Connection Boxes* Black surface mount with PG16 threaded side entrance	855T-BSMP
	Black surface mount with M20 threaded side entrance	855T-BSMR
	Black surface mount with 1/2 in. NPT threaded side entrance	855T-BSMN
	Black vertical mount with PG16 threaded side entrance	855T-BVMP
	Black vertical mount with M20 threaded side entrance	855T-BVMR
	Black magnetic mount with PG16 threaded side entrance	855T-BMMP
	Black magnetic mount with M20 threaded side entrance	855T-BMMR
	Black magnetic mount with 1/2 in. NPT threaded side entrance	855T-BMMN
	Black PG16 threaded hole plug	855T-ABUP
	Black M20 threaded hole plug	855T-ABUR
	Glands Black PG16 threaded cable gland	855T-ABCP
	Black M20 threaded cable gland	855T-ABCR
	Black 1/2 in. NPT sealing connector	855T-ABHN
	Mounting Screws (M5 x 40 screws) for mounting Pole Mount Base to Pole Connection Box (Order quantity of 1 to receive bag of 4 screws)	855T-AJBS
	Vertical Mount Kit Kit includes vertical bracket and set of three sealing washers. For use with 855E surface mount base.	855E-AVM
	Vertical Mount Kit Kit includes vertical bracket and set of three sealing washers. For use with 855T and 855E pole mount base and for use with 855T surface mount base.	855T-AVM

* For use with Bul. 855E and 855T pole mount bases, except for stainless steel and quick release base types.

70 mm Control Tower™ Stack Lights

Specifications

Mechanical Ratings					
Shock and Vibration		Based on the weight and style of mounting; tower lights are subject to damage from shock and vibration. Listed below are reference guidelines for maximum acceptable conditions.			
		1 Module Stack	3 Module Stack	5 Module Stack	
Standard Bases	Surface Mount Base or 10 cm Aluminum Pole Base	150 G Shock 5 G Vibration	45 G Shock 1.5 G Vibration	35 G Shock 0.75 G Vibration	
	Vertical Base or 25 cm Aluminum Pole Base	95 G Shock 3.5 G Vibration	30 G Shock 1.25 G Vibration	20 G Shock 0.5 G Vibration	
DeviceNet Bases	Surface Mount Base or 10 cm Aluminum Pole Base	50 G Shock 5 G Vibration	45 G Shock 1.5 G Vibration	35 G Shock 0.75 G Vibration	
	Vertical Base or 25 cm Aluminum Pole Base	50 G Shock 3.5 G Vibration	30 G Shock 1.25 G Vibration	20 G Shock 0.5 G Vibration	
Recommended Wire Sizes		0.5...2.5 mm ² (22...14 AWG)			
Recommended Terminal Torque		0.8 N•m (7 lb•in)			
Environmental Ratings					
Ingress Ratings	Light Modules with Cap and combined Light/Sound Modules	IP65/UL Type 4/4X/13			
	Sound Modules (SA1, SA2, TA1, TA2)	IP54/UL Type 12			
	Sound Modules (SA3, TA3)	IP65/UL Type 4/4X/13			
	Surface, Vertical, Tube Mount and On-Machine Bases	IP65/UL Type 4/4X/13			
	Pole Mount Bases (Aluminum)	IP65/UL Type 4/13			
	Pole Mount Bases (Stainless Steel)	IP65/UL Type 4/4X/13			
Temperature Ratings — All Products	Operating Temperature	-25...+70 °C (-13...+158 °F)			
	Storage Temperature	-40...+85 °C (-40...+185 °F)			
Materials					
Bases, Caps, Lens Covers, Sound Module Housings, Lenses, Lamp Sockets		Polycarbonate			
Rubber Seals and Gaskets		Nitrile Rubber			
Pole (for aluminum pole assembly)		Aluminum			
Pole Base Footing (for aluminum pole base)		Polycarbonate			
Pole (for stainless steel pole assembly)		Powder-coated Stainless Steel			
Pole Base Footing (for stainless steel pole base)		Zinc			
Insulation Sleeve (for pole insulation)		Polyolefin			
Surface and Vertical Mount Pole Connection Box and Magnetic Mount Housing		Polycarbonate			
Mounting Screw Washers		Polypropylene			
DeviceNet Base Grommet		Neoprene			
DeviceNet Cable Jackets		CPR Chlorinated Polyethylene			
DeviceNet Cable Connectors		Santoprene			
Performance Ratings					
Description		12V AC/DC	24V AC/DC	120V AC	240V AC
Light Output	Steady Incandescent	0.5 MSCP 6.3 Lumens	2.5 MSCP 31.4 Lumens	3.0 MSCP 37.7 Lumens	0.49 MSCP 6.2 Lumens
	Flashing Incandescent	0.5 MSCP 6.3 Lumens	2.5 MSCP 31.4 Lumens	3.0 MSCP 37.7 Lumens	0.49 MSCP 6.2 Lumens
	Strobe	3 Joules per lamp			
	Steady, Flashing Socket Mount LED Red	900...2240 mcd			
	Steady, Flashing Socket Mount LED Green	900...1800 mcd			
	Steady, Flashing Socket Mount LED Amber	1400...3550 mcd			
	Steady, Flashing Socket Mount LED Blue	224...560 mcd			
	Steady, Flashing Socket Mount LED White and Yellow	900...1800 mcd			
Operating Voltage					
Description		12V AC/DC	24V AC/DC	120V AC	240V AC
Light Modules and Sound Modules		12V AC/DC (± 10%)	24V AC/DC (± 10%)	110V AC 50Hz (± 10%) 120V AC 60Hz (± 10%)	230V AC 50 Hz (± 10%) 240V AC 60 Hz (± 10%)
Lamp Life Ratings (Design Life) Average Life Under Static, No Vibration, Conditions					
Description		12V AC/DC	24V AC/DC	120V AC	240V AC
Incandescent Modules*†		8,000 hrs	7,000 hrs	3,000 hrs	1,600 hrs
LED Modules		100 000 hrs			
Strobe Modules		15 000 hrs			
Sound Modules		20 000 hrs			

* First failures at about 35% of average life. Severe vibration may reduce life to 44% of average life.

† Flashing applications may reduce life to 50% of average life.



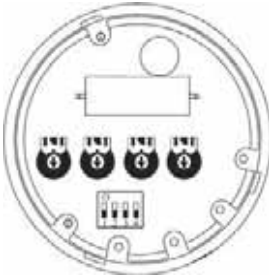
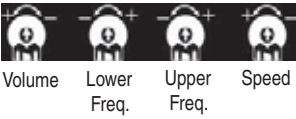
Bulletin 855T
70 mm Control Tower™ Stack Lights
Specifications

Current Consumption						
Description	12V AC/DC	24V AC/DC	120V AC	240V AC		
Light Only Modules	Steady Incandescent	208 mA	271 mA	58 mA	23 mA	
	Steady or Flashing LED	42 mA	29 mA	21 mA	20 mA	
	Strobe	240 mA	170 mA	50 mA	35 mA	
Light Modules/ with Sound	Steady Incandescent/with Sound	218 mA	281 mA	78 mA	43 mA	
	Flashing Incandescent/with Sound	218 mA	281 mA	78 mA	43 mA	
	Steady or Flashing LED/with Sound (Red, Amber, Yellow)	100 mA	62 mA	22.5 mA	20 mA	
	Flashing Incandescent/with Sound	65 mA	35 mA	22.5 mA	20 mA	
Transducer Style Sound Modules	Single and Two Circuit Modules	Steady or Flashing LED/with Sound (Green, Blue, White)	250 mA	180 mA	70 mA	55 mA
		Single and Two Circuit Modules	30 mA	65 mA	110V/50 Hz 120V/60 Hz 60 mA	230V/50 Hz 240V/60 Hz 60 mA
Piezo Style Sound Modules	Single and Two Circuit Modules	27 mA	45 mA	43 mA	40 mA	
DeviceNet Bases	—	70 mA	—	—		
Flashing Frequency (Light Only Modules)						
Flashing Incandescent Modules	12V module approximately 1.5 Hz 24V, 120V, and 240V modules approximately 2 Hz Time ON/Time OFF = 1:1					
Flashing LED Modules	Flashing frequency approximately 1.5 Hz Time ON/Time OFF = 1:1					
Strobe Modules	Flashing frequency approximately 2 Hz (flash duration 1/50,000 second)					
Flashing and Tone Frequency (Light Modules/with Sound Set at Continuous Tone)						
Tone Frequency	Tone frequency is preset at 2400 Hz or 3300 Hz					
Flashing Incandescent/with Sound	12V module approximately 1.5 Hz 24V, 120V, and 240V modules approximately 1.6 Hz					
Flashing LED/with Sound	Flashing frequency approximately 1.5 Hz					
Strobe/with Sound	Flashing frequency approximately 1.4 Hz					
Flashing and Tone Pulsing Frequencies (Light Modules/with Sound Set at Pulsing Tone)						
Tone Frequency	Tone frequency is preset at 2400 Hz or 3300 Hz					
Steady Incandescent/with Sound	Sound Pulsing Frequency — 1.5 Hz					
Flashing Incandescent/with Sound	Flashing and Pulsing Frequency the same for 12V module approximately 1.5 Hz, for 24V, 120V, and 240V modules approximately 1.6 Hz					
LED Steady/with Sound	Sound Pulsing Frequency — 1.5 Hz					
LED Flashing/with Sound	Flashing and Pulsing Frequency the same at 1.5 Hz					
Strobe/with Sound	Flashing and Pulsing Frequency the same at 1.4 Hz					
dB Rating (Sound Modules)						
All dB(A) ratings determined at a distance of 1 meter from sound module						
Selectable Tone Sound Module (SA1, TA1)	Maximum volume ranges from 64...103 dB(A) (volume adjustable) Based on tone selected for all settings except signal horn which has a maximum of 80 dB(A)					
Piezo Sound Module (SA2, TA2)	High 97 dB/Low 85 dB, selectable via DIP switch					
Piezo Sound Module (SA3, TA3)	High 107 dB/Low 95 dB, selectable via DIP switch					
Piezo Light Modules and Light Modules/with Sound (set at continuous or pulsing tone)	High 107 dB/Low 95 dB, selectable via DIP switch					
Leakage Current Impact						
All light modules, sound modules, and light/sound modules are capable of absorbing up to 3 mA of leakage current from solid-state outputs without module activation. Some light and light modules with sound may not turn off completely when connected to solid-state outputs which emit leakage current. Listed below are modules that were affected by an output module emitting a maximum of 3 mA. A dry contact can be used to eliminate the effect of leakage current.						
12V AC/DC, 24V AC/DC, 120V AC, 240V AC	All light/sound combination modules					
DeviceNet Bases						
Baud Rate Options	125 K, 250 K, 500 K, Autobaud					

70 mm Control Tower™ Stack Lights

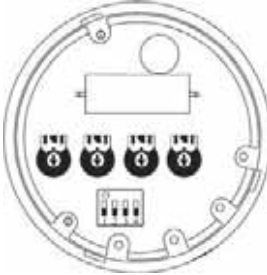















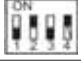












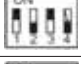





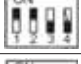








Specifications

Transducer Style Single Circuit Sound Module (SA1)

	DIP Switch Position	Tone Description		Speed	Upper Frequency	Lower Frequency	Volume
		Triangle Tone		7...22 Hz	1500 Hz	500 Hz	80... 100 dB(A)
	Continuous Tone		—	*	500 Hz	83... 100 dB(A)	
	Interrupted Tone		0.5... 1.5 Hz	*	500... 1500 Hz	83... 103 dB(A)	
	Changing Tone		0.5... 1.5 Hz	500... 1500 Hz	500... 1500 Hz	83... 103 dB(A)	
	Saw Tooth Tone Ascending		0.5... 1.5 Hz	500... 1500 Hz	500... 1500 Hz	83... 103 dB(A)	
	Saw Tooth Tone Descending		0.5... 1.5 Hz	500... 1500 Hz	500... 1500 Hz	83... 103 dB(A)	
		Sine Wave Tone		0.5... 1.5 Hz	500... 1500 Hz	500... 1500 Hz	82... 102 dB(A)
		DIN-Emergency Signal	DIN 33404	1 Hz	1200 Hz	500 Hz	82... 102 dB(A)
		Siren (Non-Repeating)		2...4 s	1500 Hz	500 Hz	83... 103 dB(A)
		Signal Horn Continuous Tone		—	*	100... 350 Hz	64... 80 dB(A)
		Three-Tone Gong		2...4 s	660 Hz 550 Hz 440 Hz		76... 95 dB(A)
		Two-Tone Gong		2...3 s	550 Hz 440 Hz		75... 93 dB(A)
		Gong		1...3 s	*	500... 1500 Hz	75... 93 dB(A)

* Set to maximum (+).

Transducer Style Dual Circuit Sound Module (TA1)

	DIP Switch Position	Tone A		Tone B	
 <p><i>Adjustable Sound Settings</i></p>		Triangle Tone		Continuous Tone	
		Continuous Tone		Changing Tone	
		Continuous Tone		Interrupted Tone	
		Interrupted Tone		Three-Tone Gong	
		Interrupted Tone		Siren (Non-Repeating)	
		Changing Tone		DIN-Emergency Signal	DIN 33404
		Saw Tooth Tone Ascending		Continuous Tone	
 <p><i>Rotated View of Sound Settings</i></p>		Saw Tooth Tone Descending		Interrupted Tone	
		Sine Wave Tone		DIN-Emergency Signal	DIN 33404
		DIN-Emergency Signal	DIN 33404	Three-Tone Gong	
		Siren (Non-Repeating)		Triangle Tone	
		Signal Horn (Continuous Tone)		Continuous Tone	
		Three-Tone Gong		Sine Wave Tone	
		Two-Tone Gong		Two-Tone Gong (Non-Repeating)	
		Gong		Continuous Tone	

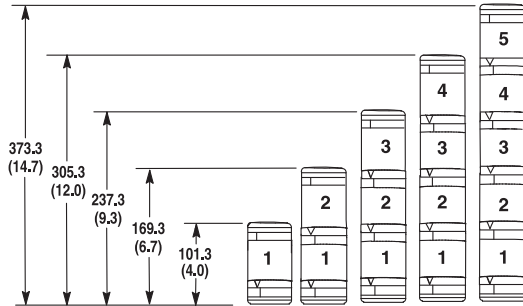
70 mm Control Tower™ Stack Lights

Approximate Dimensions

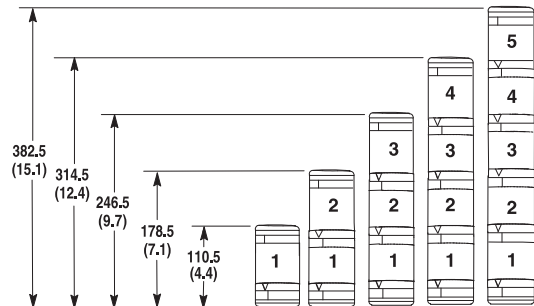
Dimensions in millimeters (inches). Dimensions are not intended to be used for manufacturing purposes.

Assembled Control Tower Lights — Light Modules Only or Light Modules with Sound Module located on top position*

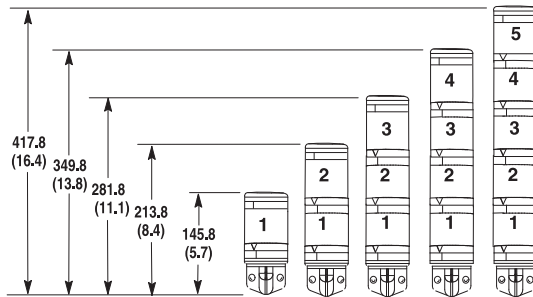
Surface Mount Base (SB and CB)



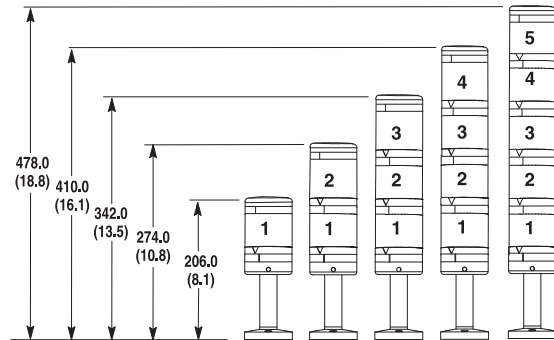
Tube Mount Base (TM)



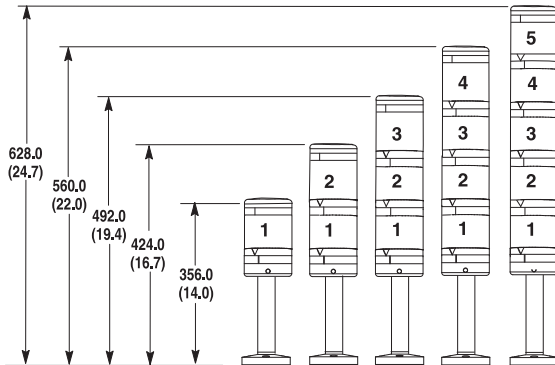
Vertical Mount Base (VM)



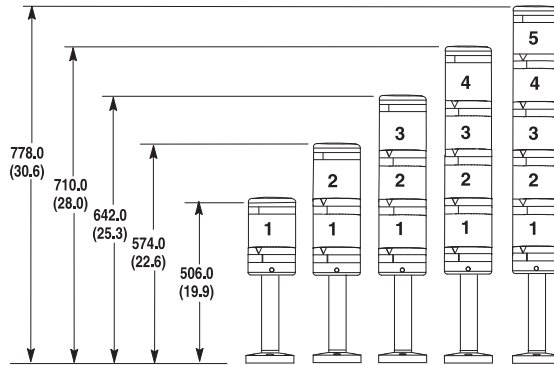
10 cm Pole Mount Base (PM10, SPM25)



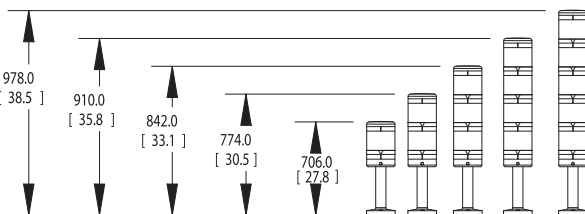
25 cm Pole Mount Base (PM25, SPM25)



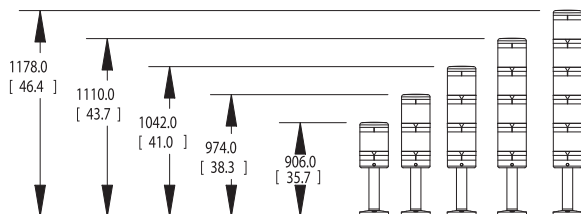
40 cm Pole Mount Base (PM40, SPM40)



60 cm Pole Mount Base (SPM60)



80 cm Pole Mount Base (SPM80)



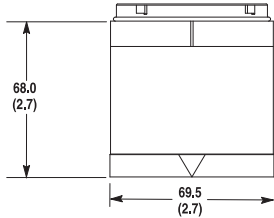
* If a combined Light/Sound module is used, add 21.5 mm (0.8 in.) to vertical dimensions.

Bulletin 855T
70 mm Control Tower™ Stack Lights
 Approximate Dimensions

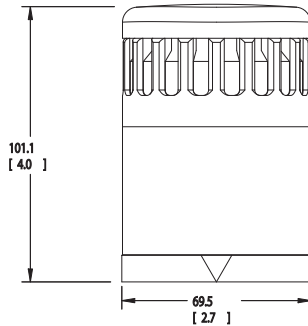
Dimensions in millimeters (inches). Dimensions are not intended to be used for manufacturing purposes.

Component and Accessory Dimensions

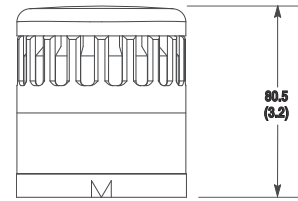
Light Module



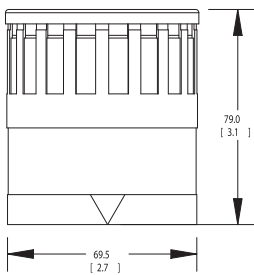
Combined Light/Sound Module



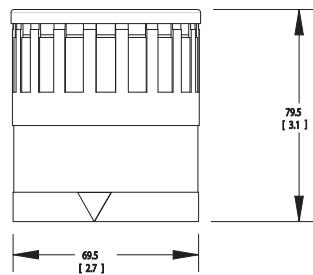
Transducer Style Sound Module



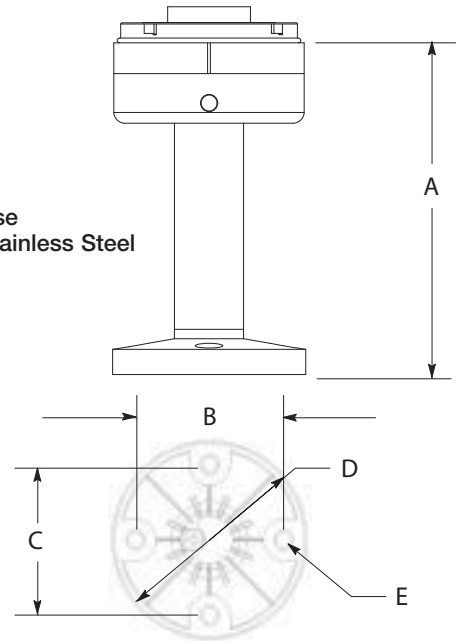
SA3 Sounder



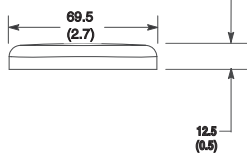
TA3 Sounder



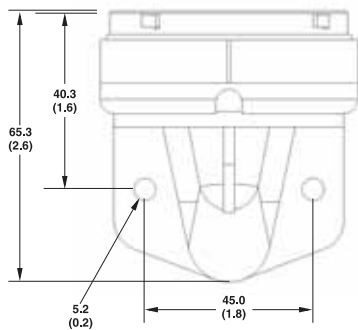
**Pole Mount Base
 Aluminum or Stainless Steel**



Cap

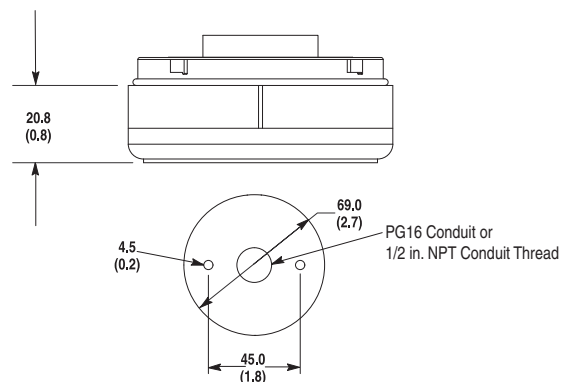


Vertical Mount Base



Pole Mount Base Size [cm] (aluminum or stainless steel)	Dimension A	Dimension B	Dimension C	Dimension D	Dimension E
10	124.5 (4.9)				
25	274.5 (10.8)				
40	424.5 (16.7)	54.0 (2.1)	54.0 (2.1)	70.0 (2.8)	5.0 (0.2)
60	624.5 (24.6)				
80	824.5 (32.5)				

**Surface Mount Base
 855T-BSB or 855T-BCB**

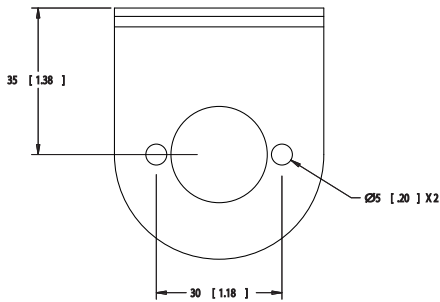
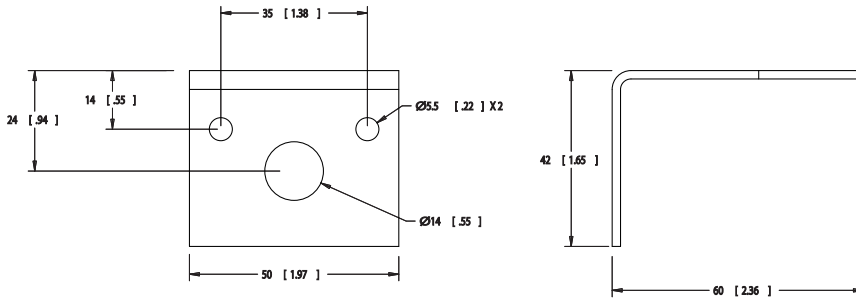


70 mm Control Tower™ Stack Lights

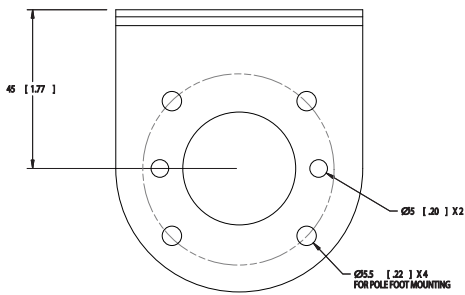
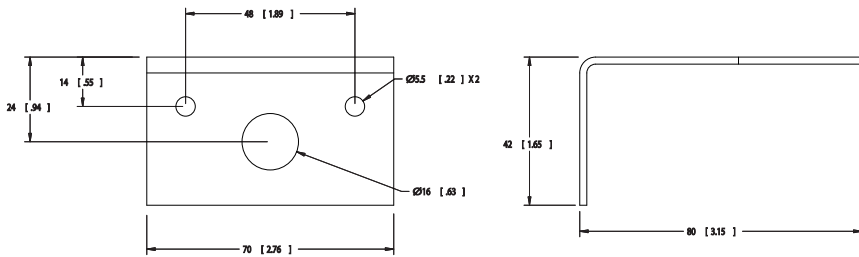
Approximate Dimensions

Dimensions in millimeters (inches). Dimensions are not intended to be used for manufacturing purposes.

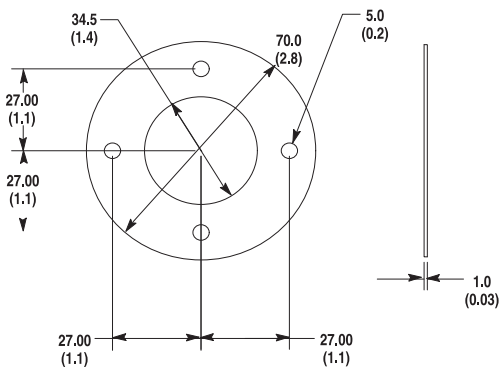
855E-AVM Vertical Mount Bracket



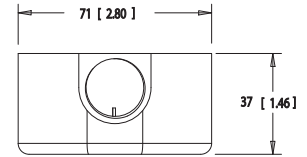
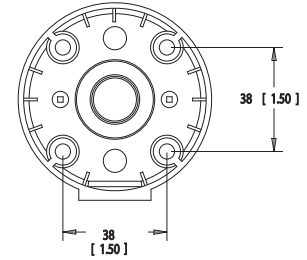
855T-AVM Vertical Mount Bracket



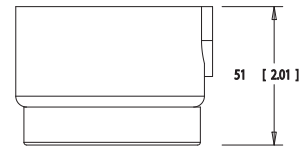
Pole Mount Gasket



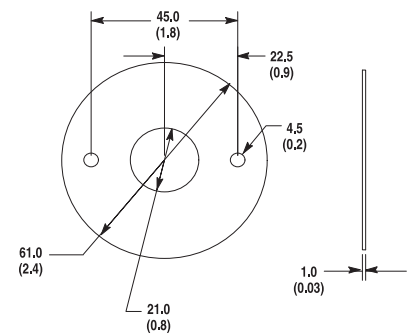
Standard Pole Connection Box



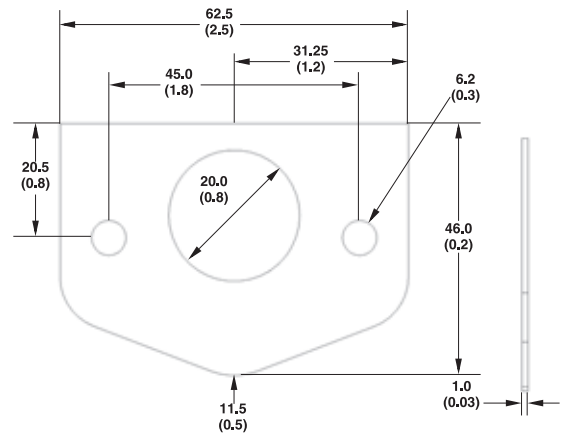
Magnetic Pole Connection Box



Surface Mount Gasket



Vertical Mount Gasket



Wall Mount Signal Light

Product Selection

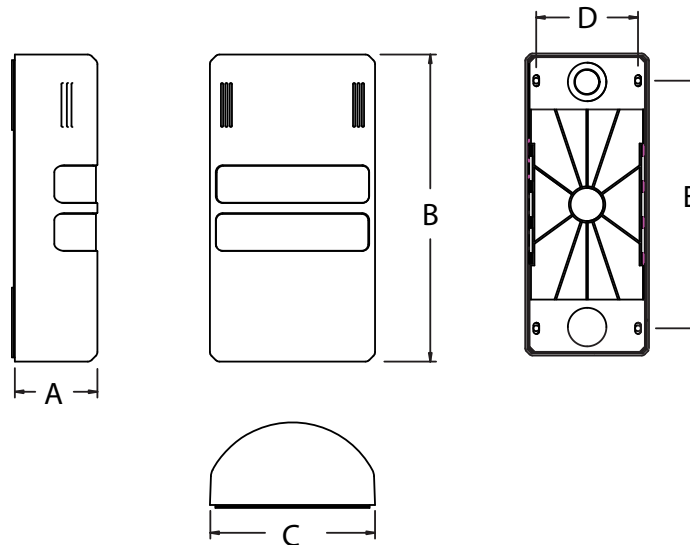
Housing Color	Voltage	Level 1		Level 2		Level 3		Level 4		Level 5		Piezo Sound Module	Cat. No.					
		LED Module	Color	LED Module	Color	LED Module	Color	LED Module	Color	LED Module	Color							
Grey	24V AC/DC	Steady	Green	Steady	Amber	Steady	Red	—	—	—	—	Yes	855W-G24Y3Y5Y4P1					
			Green		Amber	Flashing	Red						855W-G24Y3Y5L4P1					
			Blue		Amber	Steady	Red						855W-G24Y6Y5Y4P1					
			Clear		Amber		Red						855W-G24Y7Y5Y4P1					
			Blue		Green	Amber	Flashing						Red	855W-G24Y6Y3Y5L4P1				
			Blue		Green	Amber	Steady						Red	855W-G24Y6Y3Y5Y4P1				
			Clear		Green	Amber	Flashing						Red	855W-G24Y7Y3Y5L4P1				
			Blue		Green	Amber	Steady						Clear	855W-G24Y6Y3Y5Y7P1				
			Green		Red	—	—						—	—	855W-G24Y3Y4P1			
			Green		Flashing	Red	—						—	—	855W-G24Y3L4P1			
			Green		Steady	Red	—						—	—	—	855W-G24Y3Y4		
			Green			Amber	Steady						Red	—	—	855W-G24Y3Y5Y4		
			Blue			Amber							Red	—	—	855W-G24Y6Y5Y4		
			Blue			Green							Amber	Steady	Red	855W-G24Y6Y3Y5Y4		
	Blue	Green	Amber	Steady	Red	855W-G24Y6Y3Y5Y4												
	120V AC	Steady	Green	Steady	Amber	Flashing	Red	—	—	—	—	Yes	855W-G10Y3Y5L4P1					
			Green		Amber	Red	855W-G10Y3Y5Y4P1											
			Blue		Green	Amber	Steady						Red	855W-G10Y6Y3Y5Y4P1				
			Blue		Green	Amber	Flashing						Red	855W-G10Y6Y3Y5L4P1				
			Clear		Blue	Green	Steady						Amber	Steady	Red	855W-G10Y7Y6Y3Y5Y4P1		
			Clear		Blue	Green							Amber	Flashing	Red	855W-G10Y7Y6Y3Y5L4P1		
			Green		Red	—	—						—	—	—	855W-G10Y3Y4P1		
			Green		Flashing	Red	—						—	—	—	855W-G10Y3L4P1		
			Green		Steady	Red	—						—	—	—	—	855W-G10Y3Y4	
			Green			Amber	Steady						Red	—	—	—	855W-G10Y3Y5Y4	
			Blue			Green							Amber	Steady	Red	855W-G10Y6Y3Y5Y4		
			Clear			Blue							Green	Steady	Amber	Steady	Red	855W-G10Y7Y6Y3Y5Y4
			Clear		Blue	Green							Steady	Amber	Steady	Red	855W-G10Y7Y6Y3Y5Y4	
Chrome			24V AC/DC		Steady	Green	Steady						Amber	Steady	Red	—	—	—
	Green	Amber		Red		855W-C24Y3Y5L4P1												
	Blue	Amber		Flashing		Red		855W-C24Y6Y5L4P1										
	Clear	Amber		Red		855W-C24Y7Y5L4P1												
	Blue	Green		Steady		Amber		Flashing	Red	855W-C24Y6Y3Y5L4P1								
	Blue	Green				Amber		Steady	Red	855W-C24Y6Y3Y5Y4P1								
	Clear	Green		Amber		Flashing		Red	855W-C24Y7Y3Y5L4P1									
	Blue	Green		Amber		Steady		Clear	—	—	855W-C24Y6Y3Y5Y7P1							
	Clear	Blue		Green		Steady		Amber	Steady	Red	855W-C24Y7Y6Y3Y5Y4P1							
	Clear	Blue		Green				Amber	Flashing	Red	855W-C24Y7Y6Y3Y5L4P1							
	Green	Red		—		—		—	—	—	855W-C24Y3Y4P1							
	Green	Flashing		Red		—		—	—	—	Yes	855W-C24Y3L4P1						
	Green	Steady		Amber		Steady		Red	—	—	—	—	855W-C24Y3Y5Y4					
	Blue			Green				Amber	Steady	Clear	—	—	No	855W-C24Y6Y3Y5Y7				
	Green		Red	—	—		—	—	—	855W-C24Y3Y4								
	120V AC	Steady	Green	Red	—	—	—	—	—	—	Yes	855W-C10Y3Y4P1						
			Green	Flashing	Red	—	—	—	—	—	855W-C10Y3L4P1							
		Steady	Green	Red	—	—	—	—	—	—	No	855W-C10Y3Y4						
			Green	Amber	Steady	Red	—	—	—	—	855W-C10Y3Y5Y4							

Specifications

Environmental Ratings			
Ingress Ratings	Light/Sound	IP65/UL Type 4/4X/13	
Temperature Ratings	Operating Temperature	-25...+50 °C (-13...+122 °F)	
	Storage Temperature	-25...+85 °C (-13...+185 °F)	
Materials			
Lenses and Base	Polycarbonate (94V-0)		
Cover	ABS		
Rubber Seals and Gaskets	NBR 70		
Electrical Ratings			
Description	24V AC/DC	120V AC	240V AC
Operating Voltage	24V AC/DC (± 10%)	110V AC 50 Hz (± 10%) 120V AC 60 Hz (± 10%)	230V AC 50 Hz (± 10%) 240V AC 60 Hz (± 10%)
Current Consumption	Steady or Flashing LED	43 mA per channel, max.	33 mA per channel, max.
	Piezo Sounder	62 mA	24 mA
Leakage Current Impact	≤ 3 mA		
Mechanical Ratings			
Design Life Rating (Average life under static, no vibration conditions)	Steady or Flashing LED	30 000...50 000 hrs	
	Piezo Sounder	> 10 000 hrs	
Frequency	Flashing LED	2 Hz	
dB Rating	Piezo Sounder	90 dBA (potentiometer adjustable down to 70 dB) All dB(A) ratings determined at a distance of 1 meter from sound module	

Approximate Dimensions

Dimensions in millimeters (inches). Dimensions are not intended to be used for manufacturing purposes.



Number of Levels	Dimension A	Dimension B	Dimension C	Dimension D	Dimension E
2	45 (1.77)	167.4 (6.59)	90 (3.54)	74 (2.91)	125 (4.92)
3		193.5 (7.62)			150 (5.91)
4		219.6 (8.65)			180 (7.09)
5		245.7 (9.67)			210 (8.27)


Hazardous Location Horns, Beacons, and Loudspeakers

Product Overview

				
Bulletin	855XH	855XB	855XC	855XL
Type	Alarm Horn Sounders	Xenon Strobe Beacons	Combined Horn Sounder and Strobe Beacon	Public Address Loudspeakers
Voltages Available	10...30V DC, 48V DC, 115...120V AC 50/60 Hz, 220...230V AC 50/60 Hz	12V DC, 24V DC, 48V DC, 115...120V AC 50/60 Hz, 220...230V AC 50/60 Hz	24V DC, 48V DC, 115...120V AC 50/60 Hz, 220...230V AC 50/60 Hz	—
Illumination Type	—	Strobe 5 or 10 Joule	Strobe 5 Joule	—
Flash Rate	—	1 Hz		—
Lens Colors Available	—	Red, green, amber, blue, yellow, clear	Red, green, amber, blue, yellow, clear	—
Environmental Rating	NEMA Type 4/4X/13, IP66/67			
Operating Temp Range	-4...+131 °F (-20...+55 °C)			
Sound Output Level	110...117 dB	—	110 dB	—
Horn Tones	45 selectable tones, 3 stages	—	45 selectable tones, 3 stages	—
Cover, Base, and Beacon Housing Material	PPS glass-filled plastic	PPS glass-filled plastic Beacon Lens: Glass	PPS glass-filled plastic Beacon Lens: Glass	PPS glass-filled plastic
Certifications	cULus Listed, CE Marked			
Product Selection	Page 11-65	Page 11-65	Page 11-66	Page 11-66

Hazardous Location Horns, Beacons, and Loudspeakers

Product Selection



Bulletin 855X — Hazardous Location Horns, Beacons, and Loudspeakers

- NEMA Type 4/4X/13, IP66
- Glass Reinforced Plastic (GRP) and impact resistant ABS
- Easy to install with fully adjustable (180°) mounting bracket at 18° increments
- 1/2 in. NPT conduit entry and pre-wired with flying leads
- Electronic horns provide extremely low power consumption and long life

Functions include:

- Electronic horn sounder, multi-tone and multi-stage
- Xenon strobe beacon
- Combined electronic horn with Xenon strobe
- Public address loudspeaker

Certifications

CE Marked
 cULus Listed (File No. E305538 for Beacons and File No. E305533 for Horns and Combination units) for Class I, Division 2, Groups A, B, C and D; Class II, Division 2, Groups F & G, and Class III, Division 1 & 2

Table of Contents

Alarm Horn
 Sounders..... this page

Xenon Strobe
 Beacons this page

Combined Horn
 Sounder & Strobe
 Beacon..... 11-66

Public Address
 Loudspeakers..... 11-66

Specifications..... 11-67

Approximate
 Dimensions..... 11-70

Standards Compliance

UL 508
 UL 1604
 CSA C22.2 No. 14
 CSA C22.2 No. 213
 EN/IEC 60947-1
 EN/IEC 60947-5-1

Alarm Horn Sounders

855XH – BN D30 B

a b c



Product Type		Voltage		Horn Type	
Code	Description	Code	Description	Code	Description
BN	1/2 in. NPT conduit entrance, black housing	D30	10...30V DC	A	110 dB @ 1 m/45 tone/3 stage
		D48	48V DC	B	117 dB @ 1 m/45 tone/3 stage
		A10	115...120V AC		
		A20	220...230V AC		

Supply Voltage	Sound Output	Cat. No.
10...30V DC	110 dB @ 1 m, 45 selectable tones, 3 stages	855XH-BND30A
	117 dB @ 1 m, 45 selectable tones, 3 stages	855XH-BND30B
115...120V AC	110 dB @ 1 m, 45 selectable tones, 3 stages	855XH-BNA10A
	117 dB @ 1 m, 45 selectable tones, 3 stages	855XH-BNA10B

Xenon Strobe Beacons

855XB – BN A10 B 4

a b c d



Product Type		Voltage		Beacon Type		Lens Color	
Code	Description	Code	Description	Code	Description	Code	Description
BN	1/2 in. NPT conduit entrance, black housing	D12	12V DC*	A	Xenon strobe - 5 J, 1 Hz	3	Green
		D24	24V DC	B	Xenon strobe - 10 J, 1 Hz	4	Red
		D48	48V DC			5	Amber
		A10	115...120V AC			6	Blue
		A20	220...230V AC			7	Clear
						8	Yellow

* The 12V DC voltage is only configurable with the Xenon, 5 J beacon type.

Supply Voltage	Beacon Type	Lens Color	Cat. No.
24V DC	Xenon Strobe - 5 J, 1 Hz	Red	855XB-BND24A4
		Amber	855XB-BND24A5
	Xenon Strobe - 10 J, 1 Hz	Red	855XB-BND24B4
		Amber	855XB-BND24B5
115...120V AC	Xenon Strobe - 5 J, 1 Hz	Red	855XB-BNA10A4
		Amber	855XB-BNA10A5
	Xenon Strobe - 10 J, 1 Hz	Red	855XB-BNA10B4
		Amber	855XB-BNA10B5

Hazardous Location Horns, Beacons, and Loudspeakers

Product Selection

Combined Horn Sounder & Strobe Beacon

855XC – BN / A10 / A / 3
a *b* *c* *d*



<i>a</i>		<i>b</i>		<i>c</i>		<i>d</i>	
Product Type		Voltage		Beacon Type		Lens Color	
Code	Description	Code	Description	Code	Description	Code	Description
BN	1/2 in. NPT conduit entrance, black housing	D24	24V DC	A	Xenon strobe - 5 J, 110 dB @ 1 m, 45 tones, 3 stages	3	Green
		D48	48V DC			4	Red
		A10	115...120V AC			5	Amber
		A20	220...230V AC			6	Blue
						7	Clear
						8	Yellow

Beacon Type	Supply Voltage	Beacon Lens Color	Cat. No.
Xenon 5 J, 110 dB at 1 m, 45 selectable tones, 3 stages	24V DC	Green	855XC-BND24A3
		Red	855XC-BND24A4
		Amber	855XC-BND24A5
	115 V AC	Green	855XC-BNA10A3
		Red	855XC-BNA10A4
		Amber	855XC-BNA10A5

Public Address Loudspeakers

855XL – BN / 70 / A
a *b* *c*

<i>a</i>		<i>b</i>		<i>c</i>	
Product Type		Power Selection - Transformer		Power Handling	
Code	Description	Code	Description	Code	Description
BN	1/2 in. NPT conduit entrance, black housing	70	70V line (tappings: 15 W, 7.5 W, 3 W, 1 W)	A	15 W RMS
		100	100V line (tappings: 15 W, 7.5 W, 3 W, 1 W)		
		8R	8 Ω		
		16R	16 Ω		

Power Handling	Power Selection	Cat. No.
15 W RMS	70V Line (Tappings: 15W 7.5W 3W 1W)	855XL-BN70A
	8 Ω	855XL-BN8RA
	16 Ω	855XL-BN16RA

Hazardous Location Horns, Beacons, and Loudspeakers Specifications

Device		855XH Horn	855XB Beacon	855XC Horn-Beacon Combination	855XL PA Loudspeaker
Mechanical Ratings					
Shock		30 G Peak			
Vibration		2 G Peak			
Environmental Ratings					
Ingress Ratings		IP66/67 and UL Type 4/4X13, IP 66/67			
Temperature Ranges	Operating	-4...+131 °F (-20...+55 °C)			
	Storage	-4...+167 °F (-20...+75 °C)			
Materials					
Covers		PPS glass-filled plastic			
Bases		PPS glass-filled plastic			
Mounting Bracket		Stainless Steel 304 (A2)			
Gaskets		Viton			
Beacon Lens		Glass			
Beacon Housing		PPS glass-filled plastic			
Performance Ratings					
Sound Output	dB @ 1 meter	110 or 117 dB	N/A	110 dB	N/A
Xenon Lamp Rating		N/A	5 or 10 Joules	5 Joules	N/A
Flashing Frequency		N/A	1 Hz	1 Hz	N/A

Operating Ratings (Voltage and Current Consumption)						
Device	Input Voltages	12V AC/DC	24V AC/DC	48V DC (Max. I/P Volts)	10V AC 50/60 Hz	230V AC 50/60 Hz
855XH Horn 110 dB @ 1 m	DC Units: 10...30V or 48V	—	284 mA (30V)	146 mA (58V)	—	—
	AC Units: 120V or 230V 50/60Hz	—	—	—	104 mA (132V)	54 mA (253V)
855XH Horn 117 dB @ 1 m	DC Units: 10...30V or 48V	—	280 mA (30V)	215 mA (58V)	—	—
	AC Units: 120V or 230V 50/60Hz	—	—	—	142 mA (132V)	76 mA (253V)
855XB Beacon 5 Joules	DC Units: 12 or 24V or 48V	520 mA (15V)	275 mA (30V)	145 mA (58V)	—	—
	AC Units: 120V or 230V 50/60Hz	—	—	—	80 mA (132V)	30 mA (253V)
855XB Beacon 10 Joules	DC Units: 24V or 48V	—	560 mA (30V)	260 mA (58V)	—	—
	AC Units: 120V or 230V 50/60Hz	—	—	—	185 mA (132V)	107 mA (253V)
855XC Combined Horn (110 dB @ 1 m) and Strobe Beacon (5 Joules)	Horn Section DC Units: 24V or 48V	—	284 mA (30V)	146 mA (58V)	—	—
	Horn Section AC Units: 120V or 230V 50/60Hz	—	—	—	104 mA (132V)	54 mA (253V)
	Beacon Section DC Units: 24V or 48V	—	275 mA (30V)	145 mA (58V)	—	—
	Beacon Section AC Units: 120V or 230V 50/60Hz	—	—	—	80 mA (132V)	30 mA (253V)

Operating Ratings				
Device	Impedance	Input	Wattage	Max. I/P Volts
855XL PA Loudspeaker *	8 Ω	8 Ω	15 W	10.95V
	16 Ω	16 Ω	15 W	15.49V
	100V Line	100V Line	15 W	100V
	70V Line	70V Line	15 W	70V

* **Power Amplifier Selection:** It is important that loudspeakers are connected to power amplifiers that have outputs compatible to the type of loudspeaker being used. Loudspeakers with a 70V or 100V line-matching transformer fitted must be connected to a power amplifier with a 70V or 100V line output. Low-impedance 8 Ω or 16 Ω loudspeakers must be connected to amplifiers with a suitable low-impedance output.

Hazardous Location Horns, Beacons, and Loudspeakers Specifications

Temperature Ratings			
Device	Hazardous Location	Code (Max. Operating Temperature) @ 55 °C Ambient	Code (Max. Operating Temperature) @ 40 °C Ambient
855XB- 5 Joule Beacon	Class I, Division 2, Groups A, B, C, D	T2D (215 °C)	T3 (200 °C)
	Class II, Division 2, Groups F and G	T5 (100 °C)	T6 (85 °C)
	Class III, Divisions 1 and 2	T5 (100 °C)	T6 (85 °C)
855XB- 10 Joule Beacon	Class I, Division 2, Groups A, B, C, D	T2A (280 °C)	—
	Class II, Division 2, Groups F and G	T4A (120 °C)	T5 (100 °C)
	Class III, Divisions 1 and 2	T4A (120 °C)	T5 (100 °C)
855XH- 110 dB Sounder	Class I, Division 2, Groups A, B, C, D	T3C (160 °C)	T4 (135 °C)
	Class II, Division 2, Groups F and G	T6 (85 °C)	—
	Class III, Divisions 1 and 2	T6 (85 °C)	—
855XH- 117 dB Sounder	Class I, Division 2, Groups A, B, C, D	T3C (160 °C)	T4 (135 °C)
	Class II, Division 2, Groups F and G	T6 (85 °C)	—
	Class III, Divisions 1 and 2	T6 (85 °C)	—
855XC- Sound/Strobe Combination	Class I, Division 2, Groups A, B, C, D	T2D (215 °C)	T3 (200 °C)
	Class II, Division 2, Groups F and G	T5 (100 °C)	T6 (85 °C)
	Class III, Divisions 1 and 2	T5 (100 °C)	T6 (85 °C)
855XL- Loudspeaker	Class I, Division 2, Groups A, B, C, D	T4 (135 °C)	T4A (120 °C)
	Class II, Division 2, Groups F and G	T6 (85 °C)	—
	Class III, Divisions 1 and 2	T6 (85 °C)	—



Hazardous Location Horns, Beacons, and Loudspeakers

Specifications

Tone Selection Table for 855XH and 855XC units

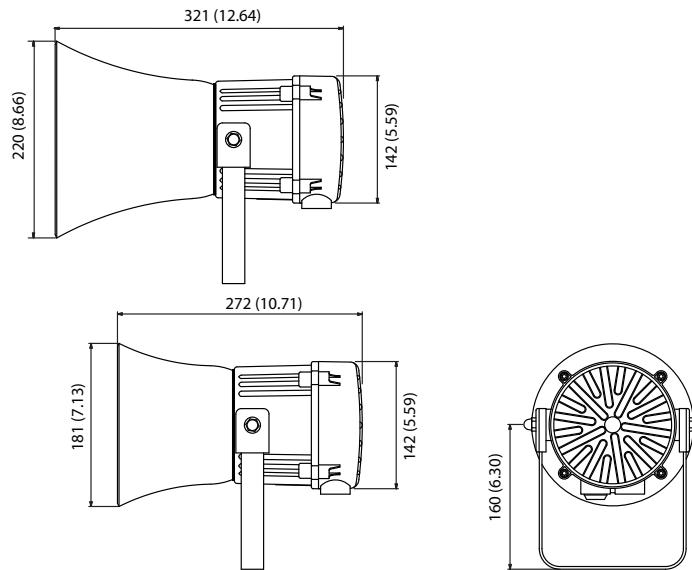
Stage 1	Frequency Description	Switch						Stage 2	Stage 3
		1	2	3	4	5	6		
1	340 Hz, Continuous	0	0	0	0	0	0	Tone 2	Tone 5
2	800/1000 Hz @ 0.25 s, Alternating	1	0	0	0	0	0	Tone 17	Tone 5
3	500/1200 Hz @ 0.3 Hz s, Slow Whoop	0	1	0	0	0	0	Tone 2	Tone 5
4	800/1000 Hz @ 1 Hz, Sweeping	1	1	0	0	0	0	Tone 6	Tone 5
5	2400 Hz, Continuous	0	0	1	0	0	0	Tone 3	Tone 20
6	2400/2900 Hz @ 7 Hz, Sweeping	1	0	1	0	0	0	Tone 7	Tone 5
7	2400/2900 Hz @ 1 Hz, Sweeping	0	1	1	0	0	0	Tone 10	Tone 5
8	500/1200/500 Hz @ 0.3 Hz, Sweeping	1	1	1	0	0	0	Tone 2	Tone 5
9	1200/500 Hz @ 1 Hz, - DIN PFEER P.T.A.P.	0	0	0	1	0	0	Tone 15	Tone 2
10	2400/2900 Hz @ 2 Hz, Alternating	1	0	0	1	0	0	Tone 7	Tone 5
11	1000 Hz @ 1 Hz, Intermittent	0	1	0	1	0	0	Tone 2	Tone 5
12	800/1000 Hz @ 0.875 Hz, Alternating	1	1	0	1	0	0	Tone 4	Tone 5
13	2400 Hz @ 1 Hz, Intermittent	0	0	1	1	0	0	Tone 15	Tone 5
14	800 Hz, 0.25 s ON, 1 s OFF, Intermittent	1	0	1	1	0	0	Tone 4	Tone 5
15	800 Hz, Continuous	0	1	1	1	0	0	Tone 18	Tone 5
16	660 Hz, 150 ms ON, 150 ms OFF, Intermittent	1	1	1	1	0	0	Tone 2	Tone 27
17	544 Hz (100 ms)/440 Hz (400 ms), - NF S 32-001	0	0	0	0	1	0	Tone 2	Tone 5
18	660 Hz, 1.8 s ON, 1.8 s OFF, Intermittent	1	0	0	0	1	0	Tone 2	Tone 5
19	1.4 kHz...1.6 kHz 1s, 1.6 kHz...1.4 kHz 0.5 s, - NFC48-265	0	1	0	0	1	0	Tone 2	Tone 5
20	660 Hz, Continuous	1	1	0	0	1	0	Tone 2	Tone 5
21	554 Hz/440 Hz @ 1 Hz, Alternating	0	0	1	0	1	0	Tone 2	Tone 5
22	544 Hz @ 0.875 s, Intermittent	1	0	1	0	1	0	Tone 2	Tone 5
23	800 Hz @ 2 Hz, Intermittent	0	1	1	0	1	0	Tone 6	Tone 5
24	800/1000 Hz @ 50 Hz, Sweeping	1	1	1	0	1	0	Tone 29	Tone 5
25	2400/2900 Hz @ 50 Hz, Sweeping	0	0	0	1	1	0	Tone 29	Tone 5
26	Bell	1	0	0	1	1	0	Tone 2	Tone 15
27	554 Hz, Continuous	0	1	0	1	1	0	Tone 26	Tone 5
28	440 Hz, Continuous	1	1	0	1	1	0	Tone 2	Tone 5
29	800/1000 Hz @ 7 Hz, Sweeping	0	0	1	1	1	0	Tone 7	Tone 5
30	300 Hz, Continuous	1	0	1	1	1	0	Tone 2	Tone 5
31	660/1200 Hz @ 1 Hz, Sweeping	0	1	1	1	1	0	Tone 26	Tone 5
32	Two-tone chime	1	1	1	1	1	0	Tone 26	Tone 15
33	745 Hz @ 1 Hz, Intermittent	0	0	0	0	0	1	Tone 2	Tone 5
34	1000 & 2000 Hz @ 0.5 s, Alternating - Singapore	1	0	0	0	0	1	Tone 38	Tone 45
35	420 Hz @ 0.625 s, Australian Alert	0	1	0	0	0	1	Tone 36	Tone 5
36	500-1200 Hz 3.75 s/0.25 s, Australian Evac.	1	1	0	0	0	1	Tone 35	Tone 5
37	1000 Hz, Continuous, - PFEER Toxic Gas	0	0	1	0	0	1	Tone 9	Tone 45
38	2000 Hz, Continuous	1	0	1	0	0	1	Tone 34	Tone 45
39	800 Hz 0.25 s ON, 1 sec OFF, Intermittent	0	1	1	0	0	1	Tone 23	Tone 17
40	544 Hz (100 ms)/440 Hz (400 ms), - NF S 32-001	1	1	1	0	0	1	Tone 31	Tone 27
41	Motor Siren - slow rise to 1200 Hz	0	0	0	1	0	1	Tone 2	Tone 5
42	Motor Siren - slow rise to 800 Hz	1	0	0	1	0	1	Tone 2	Tone 5
43	1200 Hz, Continuous	0	1	0	1	0	1	Tone 2	Tone 5
44	Motor Siren - slow rise to 2400 Hz	1	1	0	1	0	1	Tone 2	Tone 5
45	1 KHz 1 s ON, 1 s OFF, Intermittent, - PFEER Gen. Alarm	0	0	1	1	0	1	Tone 38	Tone 34

Hazardous Location Horns, Beacons, and Loudspeakers

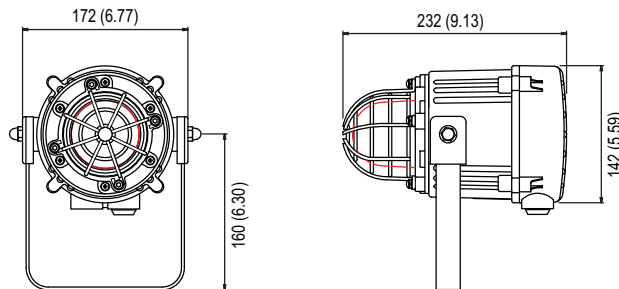
Approximate Dimensions

Dimensions in millimeters (inches). Dimensions are not intended to be used for manufacturing purposes.

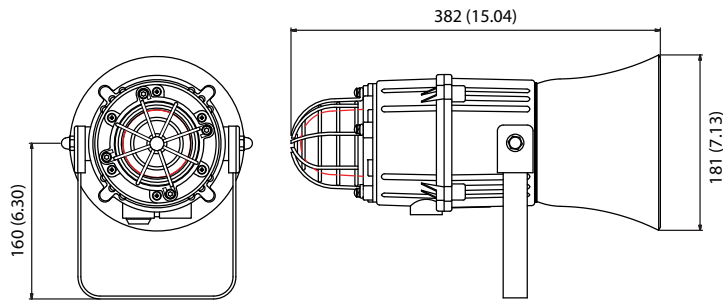
Horns



Beacons



Horn & Beacon Combinations



Public Address Loudspeakers

