

Nylon Cable Gland



Material: Adopting nylon PA66 certificated by UL for the plastic parts;
NBR, EPDM for rubber parts.

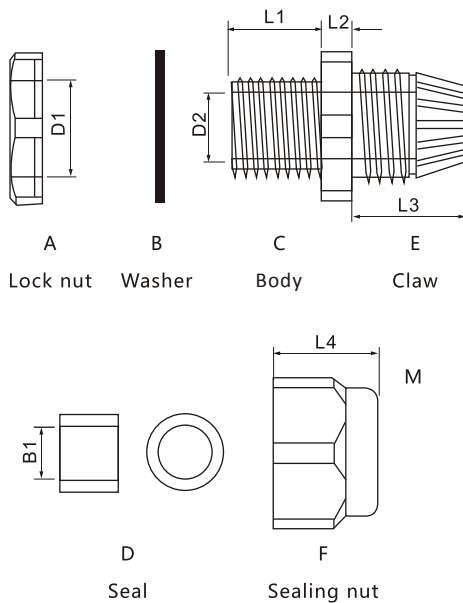
Thread: PG, Metric thread

Working temperature: -40°C to 100°C in static state, instantaneous
heat-resisting up to 120°C; -20°C to 80°C in dynamic state,
instantaneous heat-resisting up to 100°C

Characteristics: The claws and seals of excellent design, can hold cable
firmly and have a wider cable range. Resistant to salt water, weak
acid, alcohol, oil, grease and common solvency.

Colours: Black, Light Gray(RAL7035), other colours available upon request.

PG type cable gland



Code No	Cable Range (mm)	Thread O.D. D1(mm)	Thread Length L1(mm)	Spanner Size (mm)	Packing PCS/Bag
PG7	3~6.5	12.5	8	16	100
PG9	4~8	15.2	8	19	
PG11	5~10	18.6	8	22	
PG13.5	6~12	20.4	10	24	
PG16	10~14	22.5	10	27	
PG19	12~16	24	10	27	
PG21	13~18	28.3	10	33	50
PG25	16~21	30	11	35	
PG29	18~25	37	12	42	
PG36	22~32	47	14	52	
PG42	32~38	54	14	60	20
PG48	37~44	59.3	15	64	
PG63	42~50	71	28	77	5

Metric type cable gland



Code No	Cable Range (mm)	Thread O.D. D1(mm)	Thread Length L1(mm)	Spanner Size (mm)	Packing PCS/Bag
M12 x 1.5	3~6.5	12	8	16	100
M16 x 1.5	4~8	16	8	19	
M18 x 1.5	5~10	18	8	22	
M20 x 1.5	6~12	20	10	24	
M22 x 1.5	10~14	22	10	27	
M24 x 1.5	12~16	24	10	27	
M25 x 1.5	13~18	25	10	33	50
M27 x 1.5	13~18	27	10	33	
M30 x 1.5	16~21	30	11	35	
M32 x 1.5	16~21	32	11	35	
M36 x 1.5	18~25	36	12	42	20
M40 x 1.5	22~32	40	14	52	
M50 x 1.5	32~38	50	14	60	
M63 x 1.5	37~44	63	15	64	

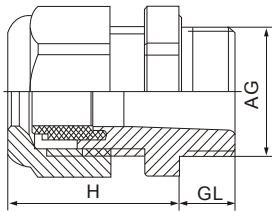
Metallic Cable Gland

Material: Brass plated with nickel for metal parts; UL approved nylon Pa66 for the plastic parts; NBR, EPDM for rubber parts.

Thread: PG, Metric thread

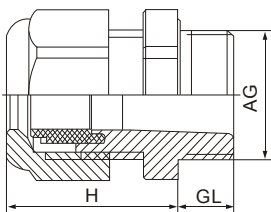
Temperature: -40°C to 100°C, instantaneous heat-resisting up to 120°C

Characteristics: The claws and seals of excellent design, can hold cable firmly and have a wider cable range. Resistant to salt water, weak acid, alcohol, oil, grease and common solvency.



PG type cable gland

Code No	Cable Range (mm)	Thread O.D. AG(mm)	Thread Length GL(mm)	Spanner Size (mm)	Packing PCS/Bag
PG7	3~6.5	12.5	6	14	100
PG9	4~8	15.2	7	17	
PG11	5~10	18.6	7	20	
PG13.5	6~12	20.4	7.5	22	
PG16	10~14	22.5	7.5	24	50
PG19	12~16	24	8	26	
PG21	13~18	28.3	8	30	
PG25	16~21	30	8.5	35	20
PG29	18~25	37	9	40	
PG36	22~32	47	9	50	10
PG42	32~38	54	10	57	
PG48	37~44	59.3	11	64	



Metric type cable gland

Code No	Cable Range (mm)	Thread O.D. AG(mm)	Thread Length GL(mm)	Spanner Size (mm)	Packing PCS/Bag
M12 x 1.5	3~6.5	12	6	14	100
M16 x 1.5	4~8	16	7	17	
M18 x 1.5	5~10	18	7	20	
M20 x 1.5	6~12	20	7.5	22	
M22 x 1.5	10~14	22	7.5	24	50
M24 x 1.5	12~16	24	8	26	
M25 x 1.5	13~18	25	8	30	
M27 x 1.5	13~18	27	8.5	35	20
M30 x 1.5	16~21	30	8.5	38	
M32 x 1.5	16~21	32	9	40	
M36 x 1.5	18~25	36	9	46	
M40 x 1.5	22~32	40	9	50	10
M50 x 1.5	32~38	50	10	57	
M63 x 1.5	37~44	63	11	64	